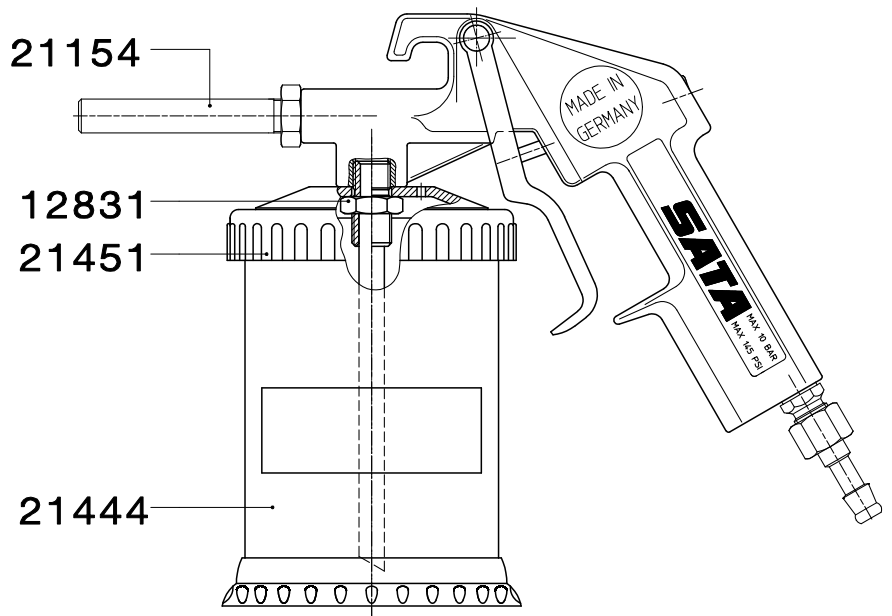
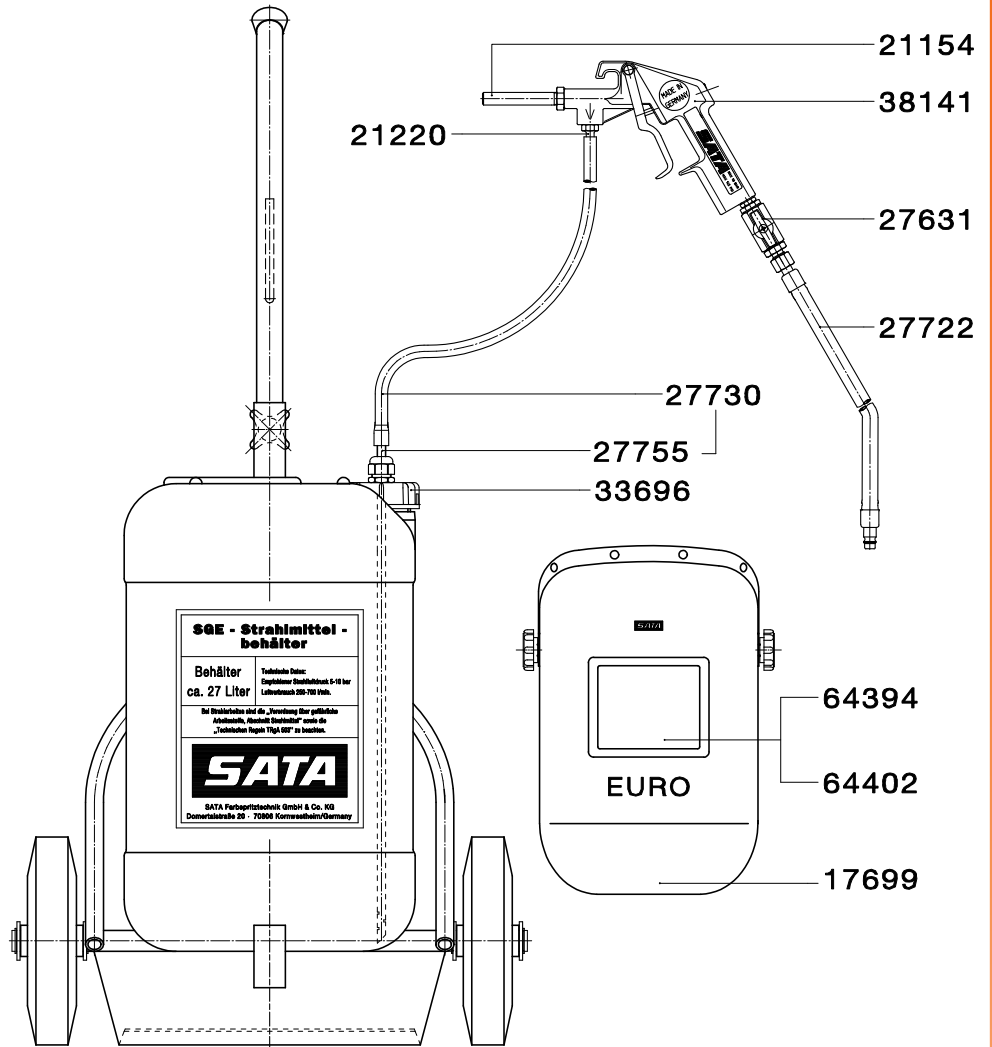


Spare Parts Grit Blasting Equipment

Original SATA spare parts

Art. No./Descr.
12831 Hexagon nut SPO ascending pipe
17699 SATA HMO head protection hood
21154 Blast pipe w. carbide insert for SATA grit blasting gun
21220 Nozzle for male thread G 1/4 for SGE - gun
21444 Plastic suction cup 0,6 l
21451 Lid for plastic screw cup 0,6 itr.
27631 Teflon ball valve
27722 SGE Air hose 9 mm ID, length 10 m
27730 SGE paint hose 6 mm ID, length 5 m with ascension pipe
27755 Ascending pipe, only, for SGE set
33696 Sealing cap
64394 Set of 5 screens
64402 Set of 5 pcs. glass visor screens



All prices are suggested list prices. Errors, technical modifications and printing errors reserved.