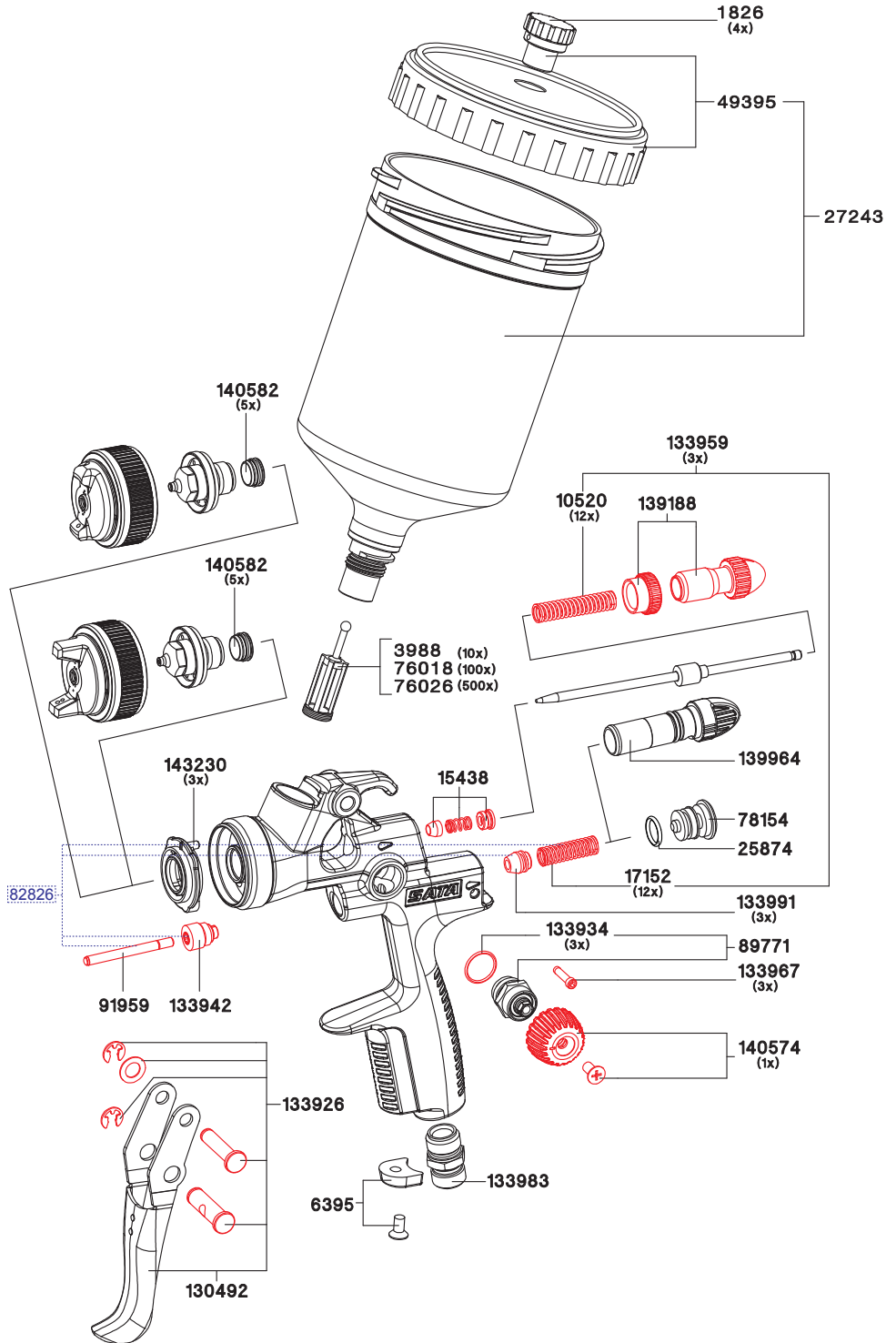


Spare Parts SATAJet® 100 B

Original SATA spare parts to enhance the lifetime of the spray gun

Art. No./Descr.
1826
4 pieces non-drip devices for 0.6 l PVC cup
3988
10 paint strainers for SATA spray guns, except SATAMinijet
6395
Pack of 4 CCS clips available in colours green, blue, red and black
10520
12 Springs
15438
Paint needle packing
17152
Pack of 12 springs
25874
O-Ring 9 x 1.5 mm Perbunan
27243
QCC quick replacement cup (PVC) 0.6 l
49395
Screw-on lid for 0.6 l PVC cup with drip-catching ring and non-drip device
76018
10 packs of 10 paint strainers
76026
50 packs of 10 paint strainers
78154
End cap SATAjet for guns without micrometer
89771
Spindle, cpl., for round / flat spray control
91959
Air piston rod
130492
Trigger kit packed in PVC bag
133926
Trigger sleeve kit
133934
Pack of 3 packings
133942
Seal retainer
133959
Set of springs with each 3 pieces paint needles/air piston springs
133967
Pack of 3 adjustment screws
133983
Air connection piece G1/4a
133991
Pack of 3 air piston heads
136960
Sealing kit
139188
Material flow control with counter nut
139964
Air micrometer for
140574
Control knob and screw (each 1)
140582
Pack of 5 sealing elements
143230
Pack of 3 air distribution rings



All prices are suggested list prices. Errors, technical modifications and printing errors reserved.

- 9050
- Tool kit**
- High performance grease, 3g tube
 - Extraction tool
 - Paint strainer
 - Cleaning brush
 - Allen wrench 2 mm width
 - Allen wrench 4 mm width
 - Universal wrench



Art. No./Descr.
130542
Repair Kit
82826
Air piston service unit