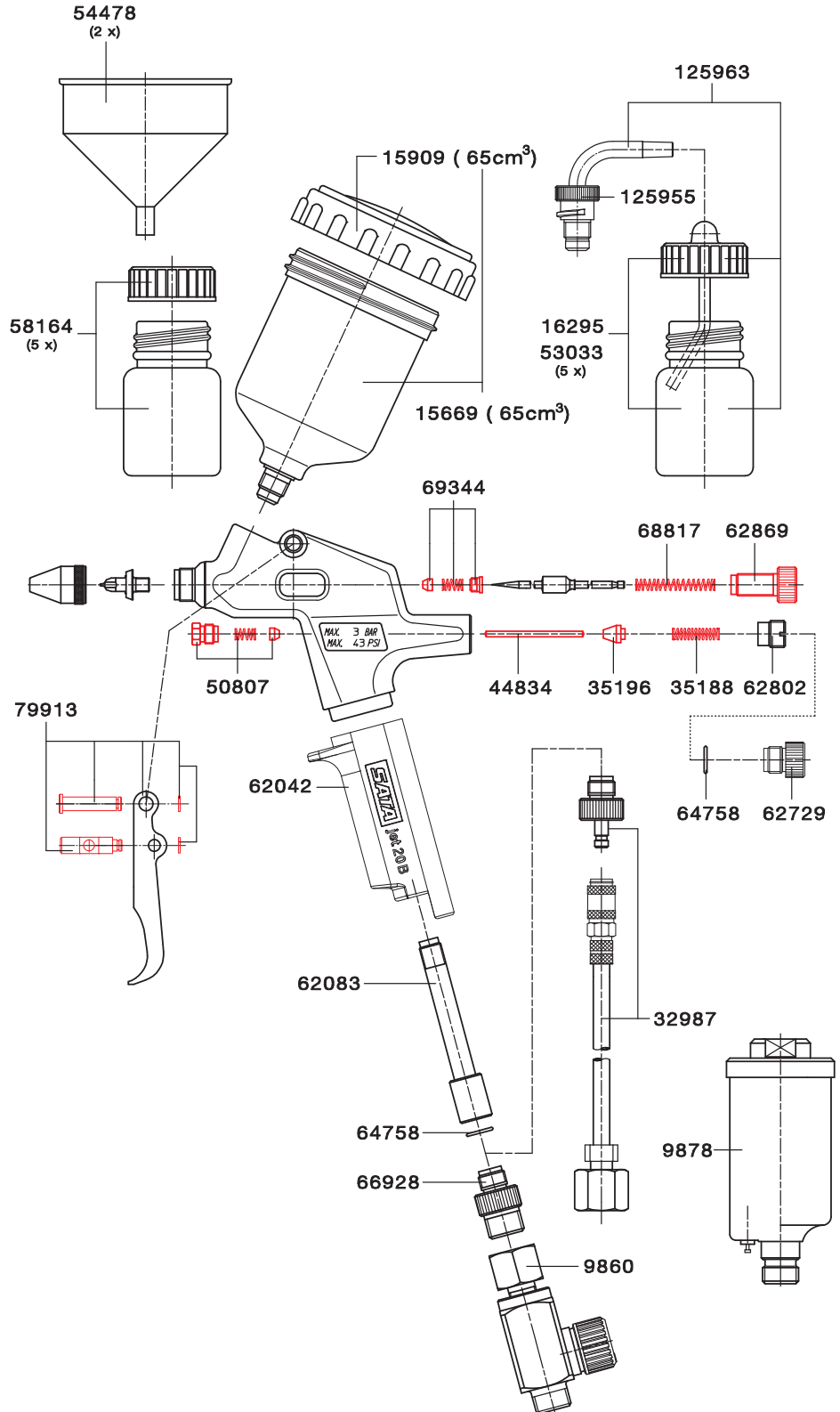


Spare Parts SATAJet® 20 B

Original SATA spare parts to enhance the lifetime of the spray gun

Art. No./Descr.
9860
SATA air micrometer 0-845, G 1/4 a
9878
SATA mini filter G 1/4
15669
PVC gravity flow cup 65 ccm
15909
PVC screw-on lid 65 ccm PVC cup
16295
Plug-in cup wit lid
32987
PVC compressed air hose 3 m
35188
Pressure spring air piston
35196
Air piston
44834
Air piston rod SATAMinijet 3000 B HVLP, minijet 4 HVLP, jet 20 B, dekor 2000
50807
Service unit air piston rod
53033
5 plug-in cups with lid
54478
Strainer for mini spray guns, packing unit: 2
58164
5 Glass cups of each 25 ccm with closed lid
62042
Spray gun handle
62083
Air tube
62729
Closing screw
62802
Compression screw G 1/8a
62869
Material flow control screw
64758
O-Ring 8 x 1 mm, Viton green
66928
Air connection G1/8a-G1/4a
68817
Pressure spring paint needle
69344
Paint needle packing
69427
Packing kit
79913
Trigger kit
125955
Plug-in cup connection with QCC
125963
Add-on set consisting of plug-in cup connection with QCC, 5 plug-in cup connections with lid 25 cm and 2 strainers



- 9373
- Tool kit**
- Cleaning brush
 - Universal wrench
 - Hexagonal screwdriver



- Art. No./Descr.
- 91165**
- Repair kit SATAJet 20 B, dekor 2000 starting with spray gun no. 6001

All prices are suggested list prices. Errors, technical modifications and printing errors reserved.