

# INDEX

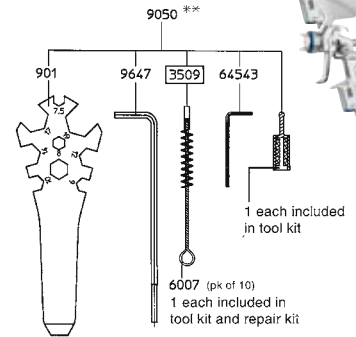
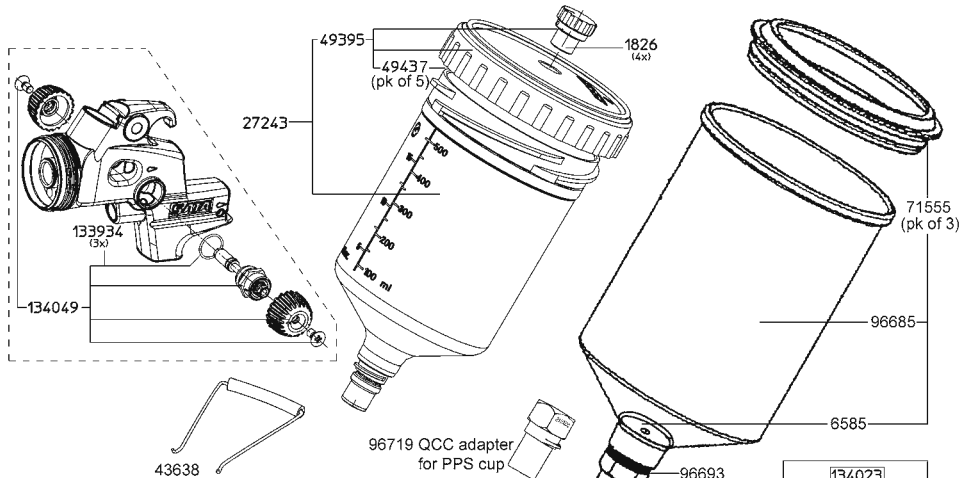
## Replacement Parts Drawings

SATAjet 3000 HVLP & SATAjet 3000 RP .....	69
SATAjet K3 HVLP & SATAjet K3 RP .....	70
SATAjet 1000 K HVLP & SATAjet 1000 K RP .....	71
SATAjet 2000 HVLP & SATAjet RP .....	72-73
SATA KLC HVLP & KLC RP .....	74
SATA LM2000/B HVLP & LM2000/B RP .....	75
SATA LM2000/K HVLP & LM2000/K+H RP .....	76
SATAminijet 4 HVLP .....	77
SATAminijet 3 HVLP .....	78
SATA dekor 2000 .....	79
SATA graph 1,2 & 3.....	80
SATAjet B (SATAjet GR) .....	81
SATAjet/H.....	82
SATAjet 90-2 HVLP & SATAjet 90-2 RP .....	83
SATA Pressure Cup & Agitator Cup.....	84
SATA 0/400 Filter Series.....	85
SATA 0/300 Filter Series.....	86
SATA 0/200 Filter Series.....	87
Dan-Am Carbon Monoxide Monitors .....	88-89
Vision 2000 Supplied Air Respirator.....	90
SATA airfresh Supplied Air Half Mask .....	91
SATA Supplied Air Charcoal Filter Belt Unit.....	92
SATA Supplied Air Industrial Respirators.....	93
SATA air-star and medi-light Half Mask .....	94
EZ-FLEX Paint Stand .....	95
SATA LP K3 ROB HVLP & RP .....	96
SATA LP K3 Auto HVLP & RP .....	97
SATA LP 90/LM2000 RP.....	98
SATA LPS R 2000 .....	99
SATA LP 90 Spray Mix .....	100
SATA LP 90 Lab Test .....	101
SATA Nozzle Extensions .....	102
SATA K3 Spray Mix.....	103
SATA Dolphin Piston Pump.....	104
SATA Shark Piston Pump.....	105-106
SATA Orca Pistion Pump.....	107
SATA Vario Top .....	108-109
SATA 2-liter Pressure Tank.....	110
SATA 10-liter Pressure Tank.....	111
Dan-Am 10-liter Pressure Tank.....	112-113
Dan-Am 20 – 40-liter Pressure Tank.....	114-115
Dan-Am 10 – 40-liter Pressure Tank Regulators.....	116
SATA HRS Undercoating Gun .....	117
SATA LM2000 KK Undercoating Gun .....	118
SATA HKU Undercoating Pump.....	119
SATA Blowguns, SATA Dosenboy, .....	120
SATA UBE Undercoating Gun .....	120

*Spare parts are available for SATA spray guns and other equipment no longer in production. However, these parts breakdowns will no longer be carried in the main catalog. To order part numbers, please refer to the original "Operating Instructions" packaged with the equipment. If these are not available you may visit the SATA/Dan-Am web site [www.satausa.com](http://www.satausa.com) and download the required parts breakdown and equipment files. We can also fax this information if you do not have access to our web site.*

# Replacement parts:

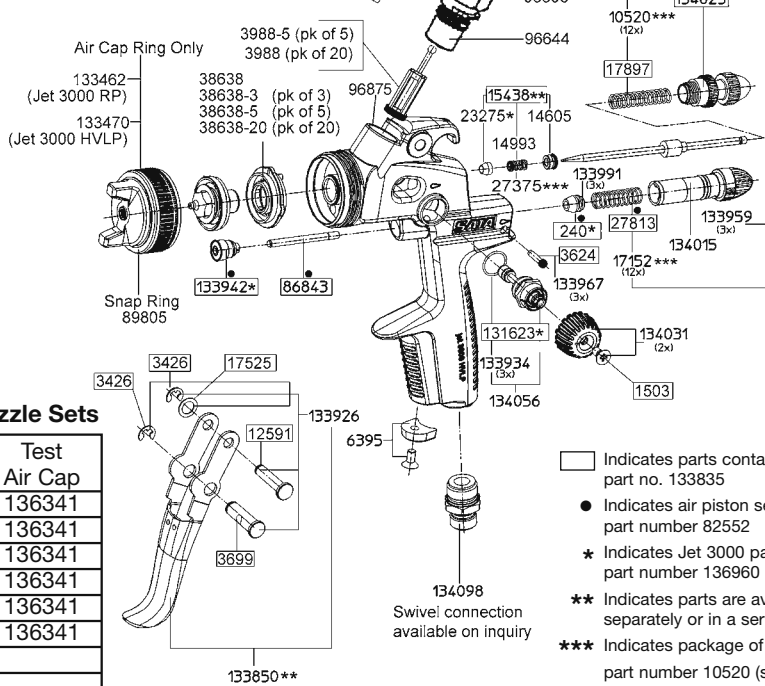
## SATAjet 3000 HVLP and RP DIGITAL and Standard Model



**⚠ WARNING**  
**on DIGITAL GUNS**  
 Replacing part number 133975 or removing the DIGITAL display cover **VOIDS WARRANTY**  
 It must be returned for service otherwise it will not function properly

### SATAjet 3000 RP Nozzle Sets

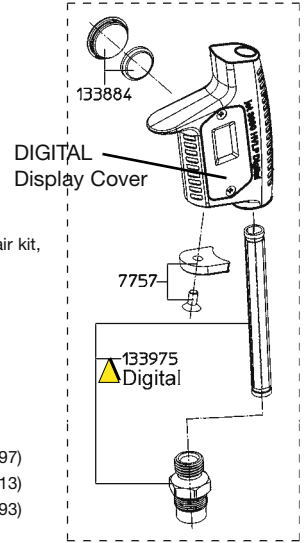
Nozzle Size	Part Number
1.0mm	132357
1.2mm	132365
1.3mm	132373
1.4mm	132381
1.6mm	132399
1.8mm	132407
2.0mm	132415
2.5mm	132423



### SATAjet 3000 HVLP Nozzle Sets

Nozzle Size	Part Number	Test Air Cap
1.0mm	132910	136341
1.2mm	132928	136341
WSB	132993	136341
1.3mm	132936	136341
1.4mm	132944	136341
1.5mm	132951	136341
1.7mm	132969	
1.9mm	132977	
2.2mm	132985	

- Indicates parts contained in repair kit, part no. 133835
- Indicates air piston service set, part number 82552
- \* Indicates Jet 3000 packing set, part number 136960
- \*\* Indicates parts are available separately or in a service set
- \*\*\* Indicates package of 12 springs part number 10520 (spring #17897) part number 17152 (spring #27813) part number 27375 (spring #14993)

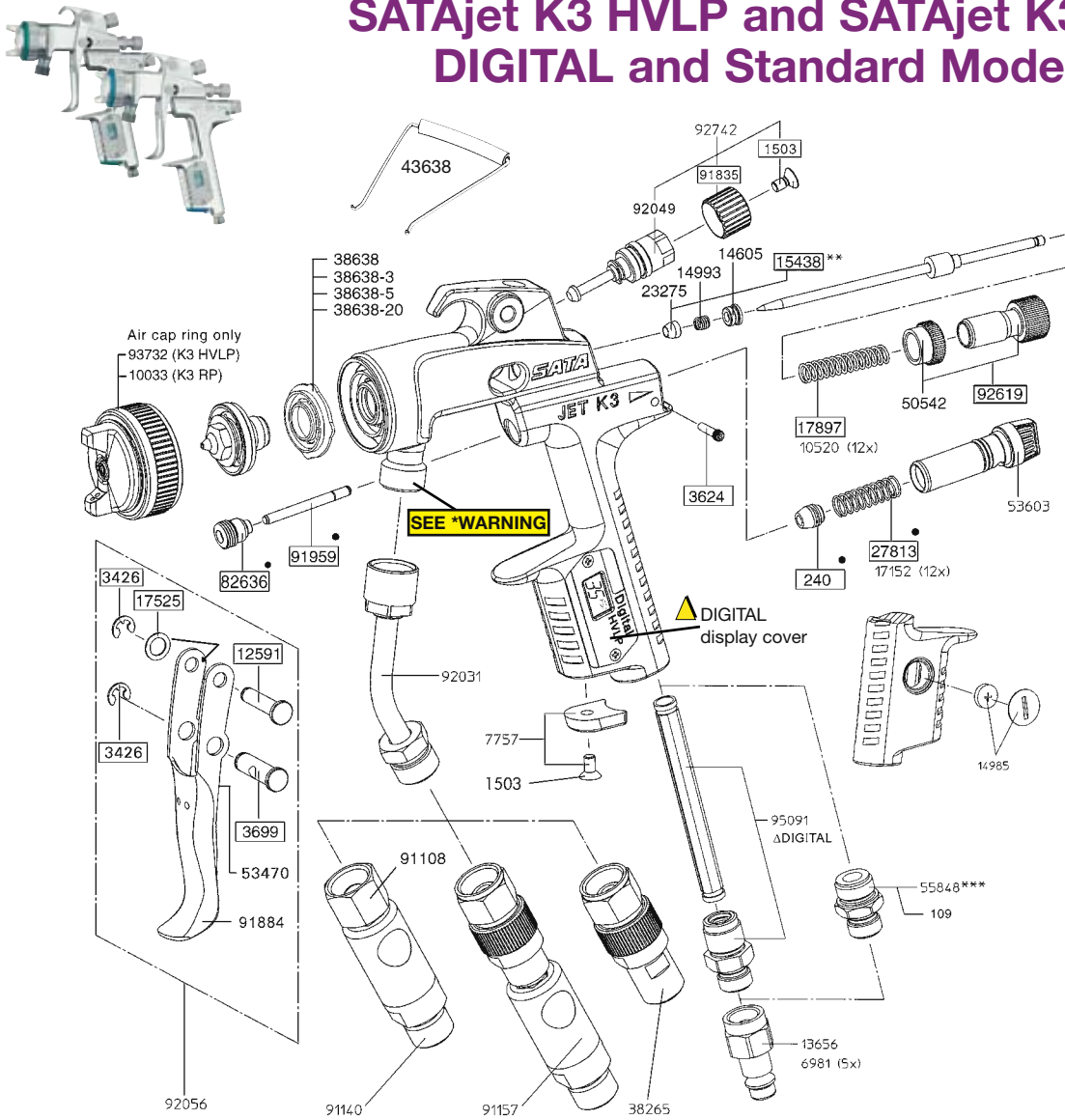


### Part# Description

240	Packing, air piston	17525	Spring, spacer lock	96875	Inner cup seal
901	Wrench, universal spanner	17897	Spring, paint needle	131623	O-ring, fan control, each
1503	Screw, fan control	23275	Packing, needle	133462	RP air cap ring w/ seal
1826	Non-drip device, pk of 4	27243	Cup, 0.6L QCC plastic	133470	HVLP air cap ring w/ seal
3426	Circlip, pin	27375	Spring, needle packing, pk of 12 #14993	133835	Repair kit, complete
3509	Brush, large standard			133850	Kit, trigger service complete
3624	Pin, air micrometer	27813	Spring, air piston	133884	Kit, battery, cover w/gasket
3699	Pin, lower trigger	38638	Ring, air distribution, each	133926	Kit, trigger sleeve
3988	Sieve, pk of 20	38638-3	Ring, air distribution, pk of 3	133934	O-ring, fan control, pk of 3
3988-5	Sieve, pk of 5	38638-5	Ring, air distribution, pk of 5	133942	Bushing, air piston
6007	Brush, large standard, pk of 10	38638-20	Ring, air distribution, pk of 20	133959	Kit, spring, pk of 3 #27813 & #17897
6395	Disc, CC (standard), pk of 4	43638	Puller, wire air ring	133967	Pin, air micrometer, pk of 3
6585	Insert, aluminum cup	49395	Lid, 0.6L plastic	133975	Fitting, DIGITAL air inlet
7757	Disc, CC (DIGITAL), pk of 4	49437	Cup Lid Drip Ring, 0.6L, pk of 5	133991	Packing, air piston, pk of 3
9050	Tool kit	64543	Allen wrench, 2mm	134015	Air micrometer
9647	Allen wrench, 4mm	71555	Lid, plastic, pk of 3	134023	Kit, fluid control and lock nut
10520	Spring, needle, pk of 12 #17897	82552	Kit, air piston service	134031	Knob, fan control w/ screw
12591	Pin, upper trigger	86843	Piston, air rod	134049	Kit, left hand fan control
14605	Bushing, needle packing	89805	Air cap snap ring	134056	Control, RH fan w/ O-ring
14993	Spring, needle packing	96644	Nipple, QCC aluminum cup	134098	Fitting, standard 1/4 air inlet
15438	Kit, needle packing	96685	Cup, 1L QCC aluminum	136960	Packing kit
17152	Spring, air piston, pk of 12 #27813	96693	Ring, QCC marking		
		96719	Adapter, QCC to PPS cup		

# Replacement parts:

## SATAjet K3 HVLP and SATAjet K3 RP DIGITAL and Standard Model



- Indicates parts contained in K3 repair kit, part number 92767
- Indicates air piston service set part number 92759, K3
- \*\* Indicates needle packing set part number 15438
- \*\*\* In non-digital version

**⚠ WARNING on DIGITAL GUNS**  
 Replacing part number 95091 or removing the DIGITAL display cover **VOIDS WARRANTY**  
 It must be returned for service otherwise it will not function properly

⚠ Must be serviced-DIGITAL guns

**\*WARNING**  
 Do not remove the insert, seal, and fluid inlet. Special tools are required.

CALL SATA repair department for details.

### SATAjet K3 HVLP Nozzle Sets

Nozzle Size	Stainless Steel	Wear Resistant	HM Carbide	Test Air Cap
0.8mm	92783	92783ST	N/A	95059
1.0mm	92791	137950	N/A	95059
1.2mm	92809	137968	58396	95067
1.6mm	92817	137976	59626	95067
2.0mm	92825	137984	61408	95067

### SATAjet K3 RP Nozzle Sets

Nozzle Size	Stainless Steel	Wear Resistant
0.8mm	92494	141317
1.1mm	92502	137901
1.3mm	92510	137919
1.5mm	92528	137927
1.7mm	95422	137935
2.0mm	95356	137943

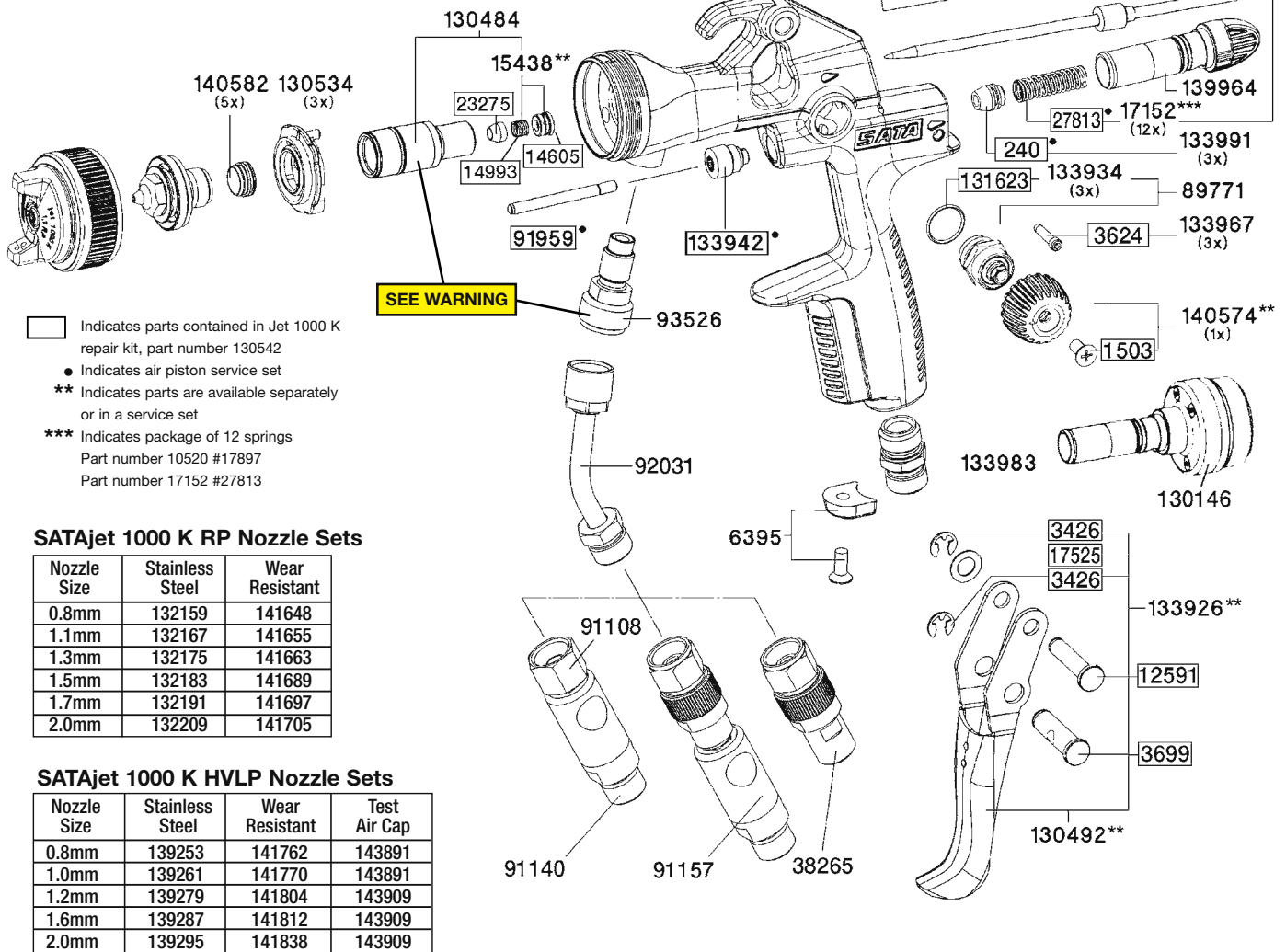
Part #	Description	Part #	Description	Part #	Description
109	Air inlet fitting, 1/4" BSP	17152	Air piston spring, pk of 12 #27813	91108	QC nipple
240	Air piston packing	17525	Lock spring	91140	QC w/nipple
1503	Fan control screw	17897	Needle spring	91157	QC w/filter and nipple
3426	Circlip, pin	23275	Needle packing	91835	Knob, fan control
3624	Pin, micrometer	27771	Air micrometer w/gauge	91884	Trigger
3699	Pin, lower trigger	27813	Air piston spring	91959	Air piston, K3
6981	Female nipple, pk of 5	38265	Material filter, R 3/8	92031	Paint pipe, K3, R 3/8
7757	ColorCode disc, pk of 4	38638	Air ring, K3, HVLP and RP	92049	Fan control
10033	Air cap ring w/seal, K3 RP	38638-3	Air ring, pk of 3	92056	Trigger service set
10520	Needle spring, pk of 12 #17897	38638-5	Air ring, pk of 5	92577	Tool set, K3
12591	Pin, upper trigger	38638-20	Air ring, pk of 20	92619	Fluid control service set
13656	Female nipple (German)	43638	Wire tool, air ring	92742	Fan control service set
14605	Bushing, needle packing	50542	Lock nut fluid control	92759	Air piston service set
14985	Battery kit, digital	53470	Trigger slider pad	92767	Repair kit, K3 HVLP & RP
14993	Spring, needle packing	53603	Air micrometer	93732	Air cap ring w/seal, K3 HVLP
15438	Needle packing service set	55848	Air inlet fitting, std. Jet 2000, RP	95091	⚠ Air inlet fitting, Digital
		82636	Air piston packing holder		

# Replacement parts:

## SATAjet 1000 K HVLP and SATAjet 1000 K RP



**WARNING:**  
DO NOT REMOVE.  
Special tools are required.  
Repair services required  
CALL SATA Repair  
Department for details.



- Indicates parts contained in Jet 1000 K repair kit, part number 130542
- Indicates air piston service set
- \*\* Indicates parts are available separately or in a service set
- \*\*\* Indicates package of 12 springs  
Part number 10520 #17897  
Part number 17152 #27813

### SATAjet 1000 K RP Nozzle Sets

Nozzle Size	Stainless Steel	Wear Resistant
0.8mm	132159	141648
1.1mm	132167	141655
1.3mm	132175	141663
1.5mm	132183	141689
1.7mm	132191	141697
2.0mm	132209	141705

### SATAjet 1000 K HVLP Nozzle Sets

Nozzle Size	Stainless Steel	Wear Resistant	Test Air Cap
0.8mm	139253	141762	143891
1.0mm	139261	141770	143891
1.2mm	139279	141804	143909
1.6mm	139287	141812	143909
2.0mm	139295	141838	143909

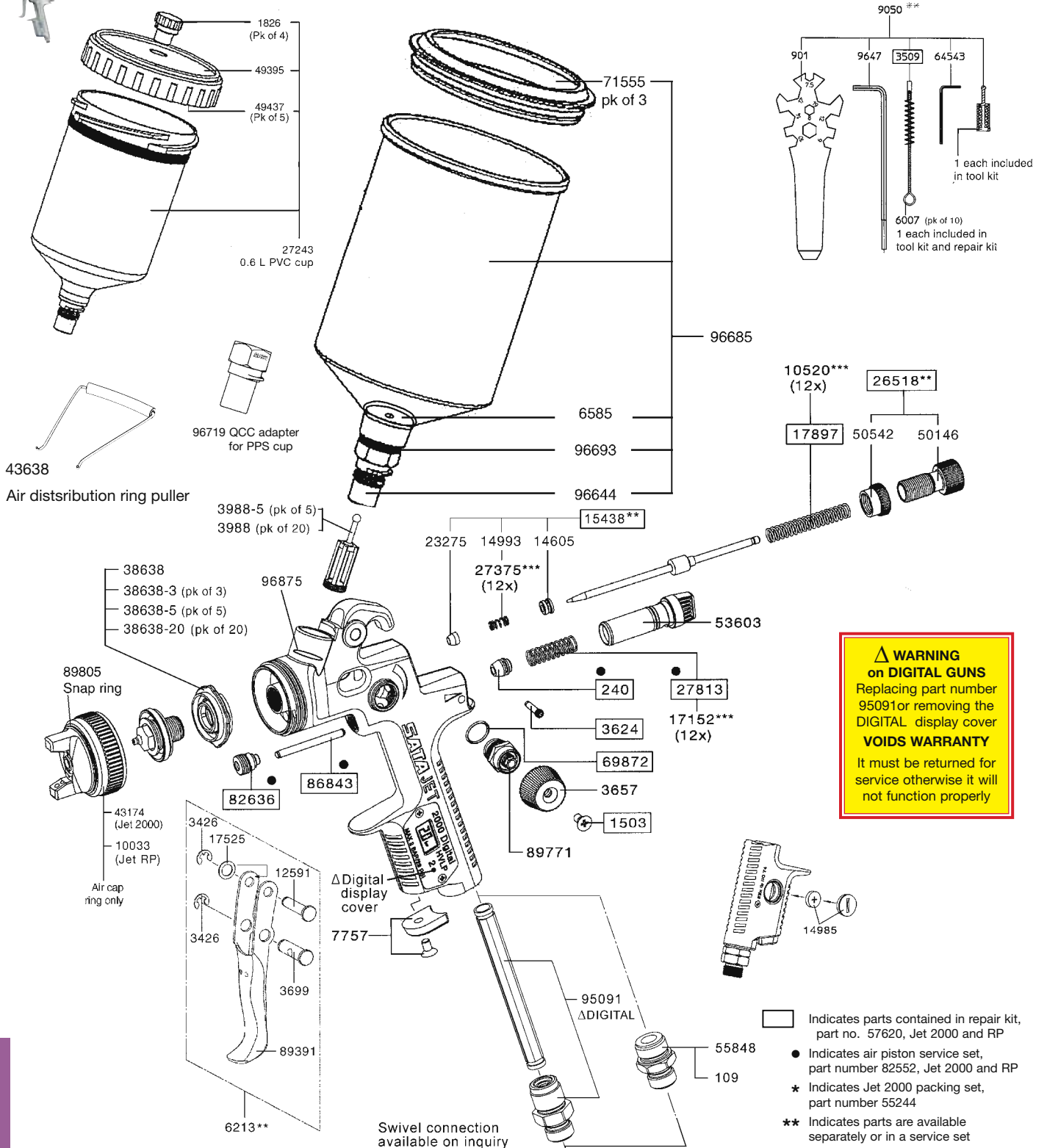
### Part # Description

240	Seal, air piston	17897	Spring, needle	130534	Ring, air distribution, pk of 3
901	Wrench, universal spanner	23275	Seal, needle	130534-1	Ring, air distribution, each
1503	Screw, fan control	27813	Spring, air piston	130542	Kit, Repair, Jet 1000 K
3426	Circlip, pin	38265	Material filter, R 3/8	131623	O-ring, fan control
3509	Brush, large standard	64543	Allen wrench, 2mm	133926	Kit, trigger sleeve
3624	Pin, air micrometer	82826	Kit, air piston	133934	O-ring, fan control, pk of 3
3699	Pin, lower trigger	89771	Control, RH w/O-ring	133942	Bushing, air piston
6395	Disc, CC (standard), pk of 4	91140	QC w/nipple	133959	Kit, spring, 3 each of #27813 & #17897
9647	Allen wrench, 4mm	91157	QC w/filter and nipple	133967	Pin, air micrometer, pk of 3
10520	Spring, needle, pk of 12 #17897	91959	Air piston	133983	Fitting, air inlet, R 1/4
12591	Pin, upper trigger	92031	Paint pipe, R 3/8	133991	Seal, air piston, pk of 3
14605	Bushing, needle	92577	Tool set	139188	Kit, fluid control and lock nut
14993	Spring, needle bushing	93526	Material connection	139964	Air micrometer, standard
15438	Kit, needle packing	130146	Air micrometer, DIGITAL	140574	Knob, fan control w/screw
17152	Spring, air piston, pk of 12 #27812	130484	Insert w/needle packing kit	140582	Seal, fluid tip, pk of 5
17525	Spring, spacer lock	130492	Kit, trigger		

Replacement parts:

# SATAjet 2000 HVLP and RP DIGITAL and Standard Model

## Rear Mounted Needle Packing



**⚠ WARNING**  
**on DIGITAL GUNS**  
 Replacing part number 95091 or removing the DIGITAL display cover **VOIDS WARRANTY**  
 It must be returned for service otherwise it will not function properly

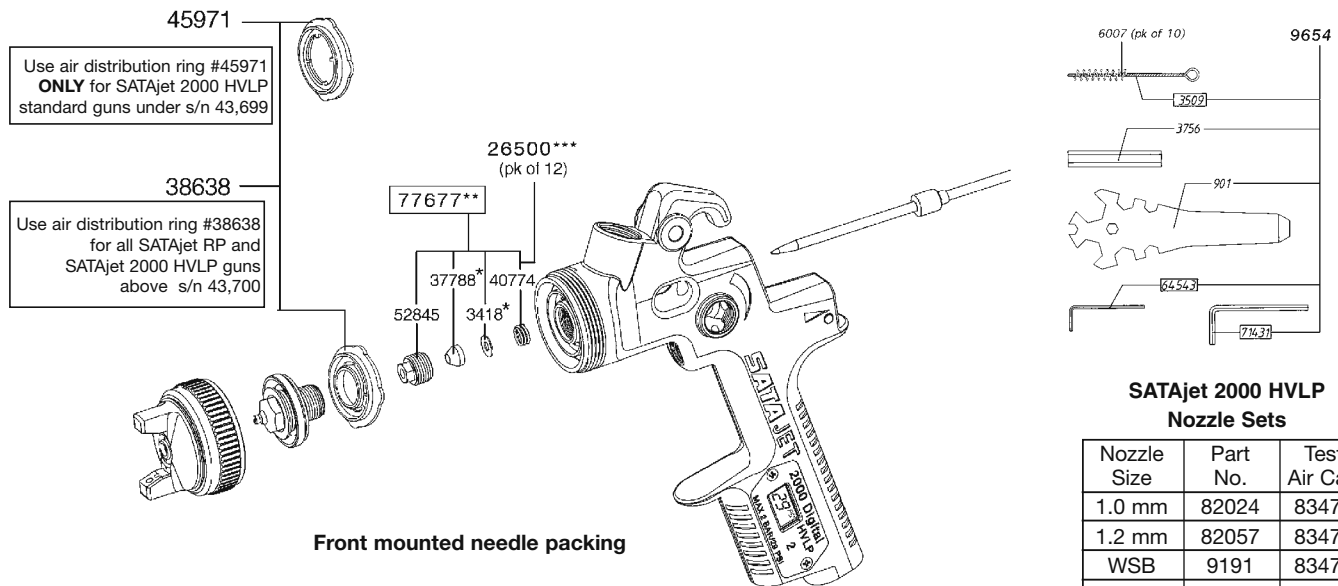
- Indicates parts contained in repair kit, part no. 57620, Jet 2000 and RP
- Indicates air piston service set, part number 82552, Jet 2000 and RP
- ★ Indicates Jet 2000 packing set, part number 55244
- \*\* Indicates parts are available separately or in a service set
- \*\*\* Indicates package of 12 springs  
 part number 10520 (spring #17897)  
 part number 17152 (spring #27813)  
 part number 27375 (spring #14993)

(Figure 1)

## Replacement parts:

# SATAjet 2000 HVLP and RP DIGITAL and Standard Model

Jet 2000 HVLP & RP DIGITAL guns below s/n 08108500 and Jet 2000 HVLP & RP std. guns below s/n 200,000 use **Front Mounted Needle Packing Parts**



**SATAjet 2000 HVLP  
Nozzle Sets**

Nozzle Size	Part No.	Test Air Cap
1.0 mm	82024	83477
1.2 mm	82057	83477
WSB	9191	83477
1.3 mm	82073	83477
1.4 mm	82263	83477
1.5 mm	82420	83477
1.7 mm	90399	76505
1.9 mm	90407	82016
2.2 mm	90415	82016

**SATAjet RP  
Nozzle Sets**

Nozzle Size	Part No.
1.0 mm	29587
1.2 mm	14902
1.3 mm	14910
1.4 mm	14936
1.6 mm	14977
1.8mm	97998
2.0 mm	69880
2.5 mm	69898

## SATAjet 2000 HVLP & RP DIGITAL and Standard Front Mounted Needle Packing Parts

Part #	Description	Part #	Description
901	Universal spanner wrench	38638	Air distribution ring, All Satajet RP's and Satajet HVLP above sn: 43,700
3418	Packing washer	40774	Needle packing spring
3509	Std cleaning brush	45971	Air distribution ring Std HVLP below sn: 43,700
3756	Deep socket wrench	52845	Needle packing holder
6007	Std cleaning brush, pk of 10	64543	Allen wrench, 2mm
9654	Tool set, Jet 2000, RP	71431	Allen wrench, 4mm
26500	Needle packing spring, pk of 12 #40774	77677	Needle packing service set
37788	Packing seal		

**Refer to Figure 1 on page 72 for all other parts not shown above.**

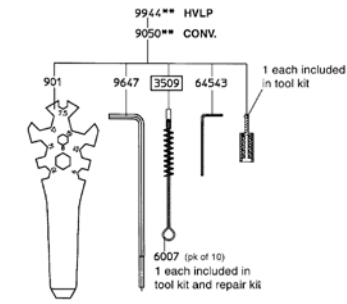
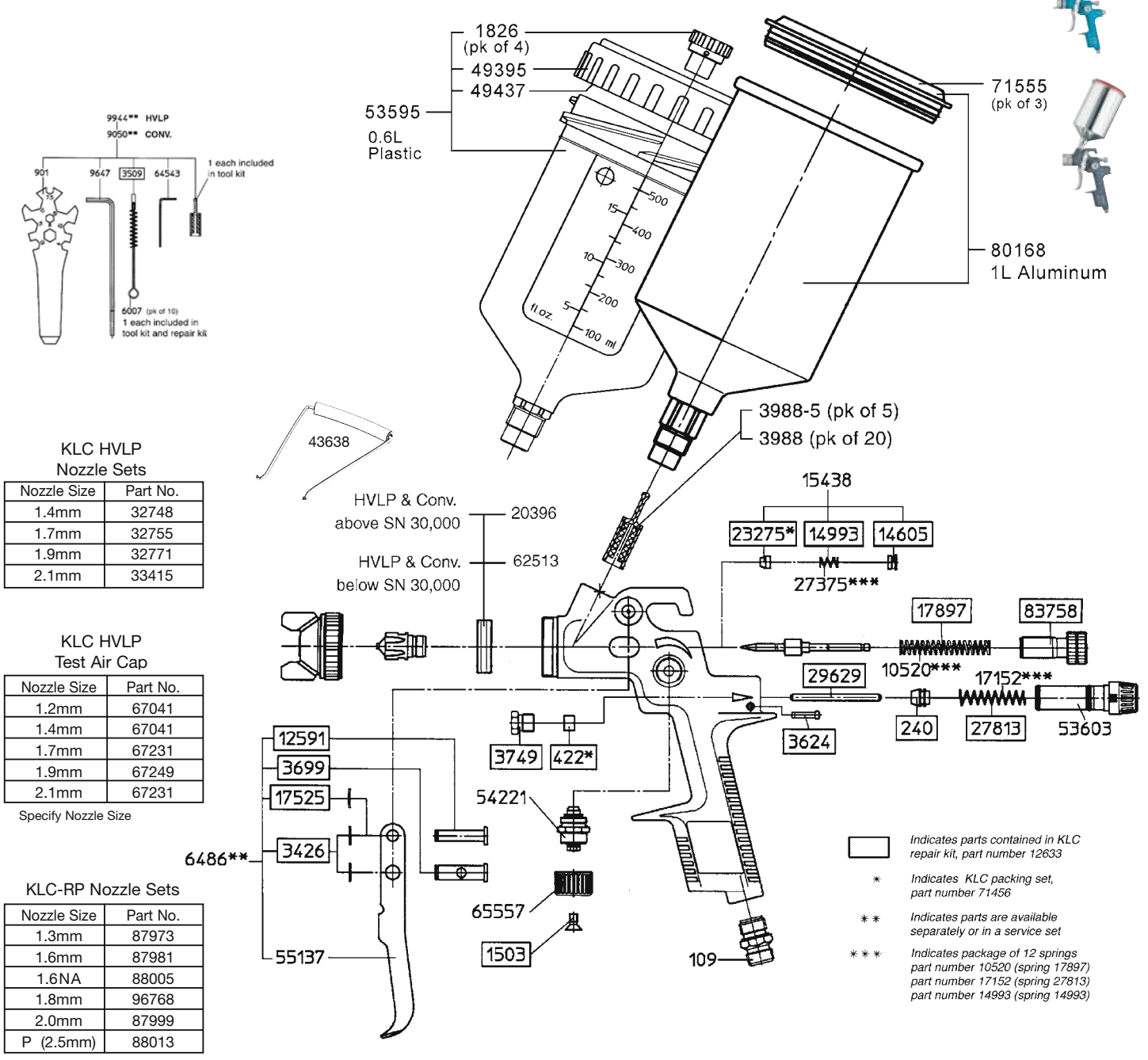
## SATAjet 2000 HVLP & RP DIGITAL and Standard (Figure 1) pg.72

Part #	Description	Part #	Description	Part #	Description
109	▲ Air inlet fitting	14605	Bushing, needle packing	50146	Fluid regulating control
240	Air piston packing	14985	Battery kit, digital	50542	Lock nut, fluid control
901	Universal spanner wrench	14993	Spring, needle packing	53603	Air micrometer
1503	Fan control screw	15438	Needle packing service set	55244	Packing set: Jet 2000, RP, 90
1826	Non-drip device, pk of 4	17152	Air piston spring, pk of 12 #27813	55848	Air inlet fitting, std. gun
3426	Circlip, pin	17525	Lock spring	57620	Repair kit, Jet 2000, RP
3509	Standard cleaning brush	17897	Needle spring	64543	Allen wrench, 2mm
3624	Pin, micrometer	23275	Needle packing	69872	Control O-ring
3657	Knob, fan control	26518	Fluid control service set	71555	Plastic lid, pk of 3
3699	Pin, lower trigger	27243	0.6L plastic cup QCC	82552	Air piston service set
3988	Paint sieve, pk of 20	27375	Spring, pk of 12, of No. 14993	82636	Air piston packing holder
3988-5	Paint sieve, pk of 5	27813	Air piston spring	86843	Air piston
6007	Std cleaning brush, pk of 10	38638	Air ring, SATAjet 2000, SATAjet RP Digital & Std. (above S/N 43,700)	89391	Trigger
6213	Trigger service set, Jet 2000, RP	38638-3	Air ring, pack of 3	89771	Fan Control
6585	Insert for Alu cup adapter	38638-5	Air ring, pack of 5	89805	Snap ring (air cap)
7757	ColorCode disc, pk of 4	38638-20	Air ring, pack of 20	95091	▲ Air inlet fitting, DIGITAL
9050	Tool set, Jet 2000, RP	43174	Air cap ring w/seal, Jet 2000	96644	▲ Cup nipple, alum. QCC only
9647	Allen wrench, 4mm	43638	Wire tool, air ring	96685	1.0L alum. cup, QCC
10033	Air cap ring w/seal, Jet RP	43638	Wire tool, air ring	96693	Red ring, alum. QCC only
10520	Needle spring, pk of 12 #17897	49395	0.6 liter cup lid	96719	QCC adapter, PPS cup
12591	Pin, upper trigger	49437	Cup Lid Drip Ring, 0.6L, Pk of 5	96875	Inner cup seal

▲ Must be serviced-DIGITAL guns

Replacement parts:

# SATA KLC HVLP and KLC-RP



**KLC HVLP Nozzle Sets**

Nozzle Size	Part No.
1.4mm	32748
1.7mm	32755
1.9mm	32771
2.1mm	33415

**KLC HVLP Test Air Cap**

Nozzle Size	Part No.
1.2mm	67041
1.4mm	67041
1.7mm	67231
1.9mm	67249
2.1mm	67231

**KLC-RP Nozzle Sets**

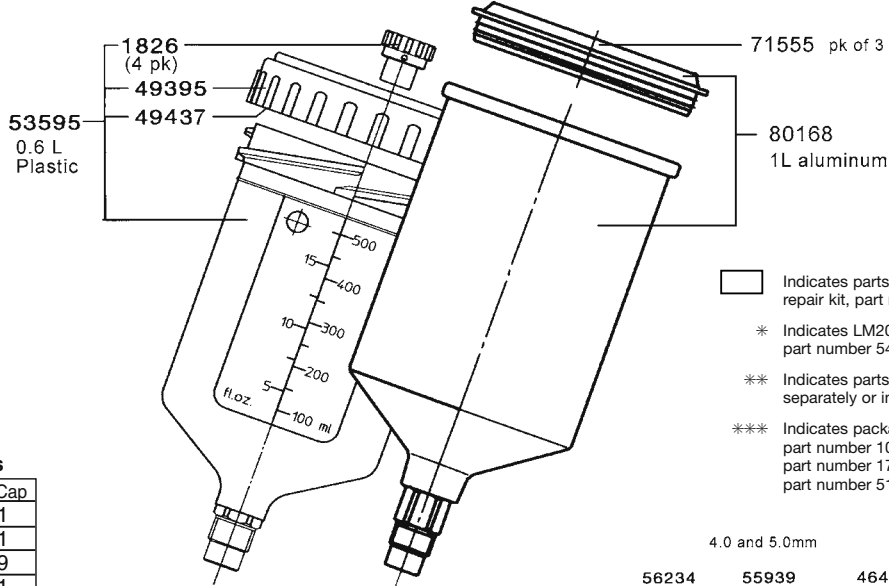
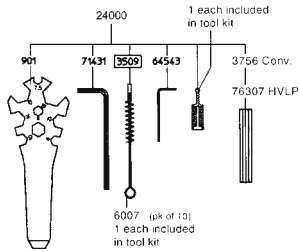
Nozzle Size	Part No.
1.3mm	87973
1.6mm	87981
1.6NA	88005
1.8mm	96768
2.0mm	87999
P (2.5mm)	88013

Indicates parts contained in KLC repair kit, part number 12633  
 \* Indicates KLC packing set, part number 71456  
 \*\* Indicates parts are available separately or in a service set  
 \*\*\* Indicates package of 12 springs part number 10520 (spring 17897) part number 17152 (spring 27813) part number 14993 (spring 14993)

Part #	Description
109	Air inlet fitting
240	Air piston packing
422	Air piston packing
901	Spanner wrench
1503	Fan control screw
1826	Non-drip device, pk of 4
3426	Circlip
3509	Std cleaning brush
3624	Pin, micrometer
3699	Pin, lower trigger
3749	Stuffing box
3988	Paint sieve, pk of 20
3988-5	Paint sieve, pk of 5
6007	Std cleaning brush, pk of 10
6486	Trigger service set
9050	Tool set, conventional
9647	Allen wrench, 4mm
9944	Tool Set, HVLP
10520	Needle spring, pk of 12 #17897
12591	Pin, upper trigger
12633	Repair kit
14605	Bushing, needle packing
14993	Spring, needle packing
15438	Needle packing service set
17152	Air piston spring, pk of 12 #27813
17525	Spring clip
17897	Spring, needle
20396	Air distribution ring
23275	Packing needle
27375	Needle packing spring, pk of 12 #14993
27813	Air piston spring
29629	Air piston
43638	Wire tool, air ring distribution
49395	Cup lid, 0.6 L
49437	Cup Lid Drip Ring, 0.6L, Pk of 5
53595	0.6L plastic gravity cup
53603	Air micrometer
54221	Fan Control, complete
55137	Trigger
62513	Air distribution insert
64543	Allen wrench, 2mm
65557	Knob, fan control
71456	Packing set
71555	Plastic lid, pk of 3
80168	1L Aluminum cup
83758	Fluid regulating control

# Replacement parts:

# SATA LM2000 B HVLP and RP

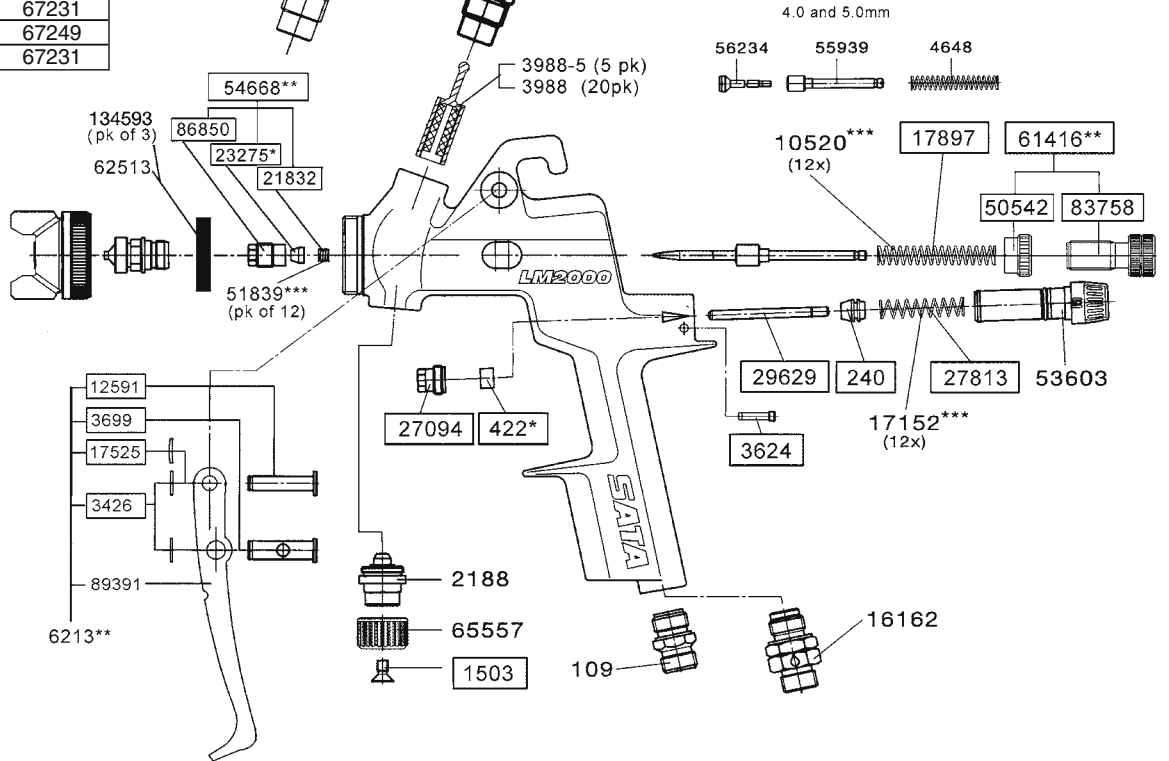


**LM2000/B HVLP Nozzle Sets**

Nozzle Size	Part No.	Test Air Cap
1.4 HVLP	30106	67041
1.7 HVLP	30643	67231
1.9 HVLP	30742	67249
2.1 HVLP	31047	67231

**LM2000/B RP Nozzle Sets**

Nozzle Size	Part No.
0.8	26690
1.0	26716
1.3	26724
1.6	26732
1.8	26740
2.0	26757
2.5	26765
3.0	26781
4.0	26799
5.0	26807



**Part # Description**

109	Air inlet fitting
240	Air piston packing
422	Air piston packing
901	Universal spanner wrench
1503	Fan control screw
1826	Non-Drip device, 4 pk
2188	Fan control, gravity
3426	Circlip, pin
3509	Standard cleaning brush
3624	Pin, micrometer
3699	Pin, lower trigger
3756	Deep socket wrench
3988	Paint sieve, 20 pk
3988-5	Paint sieve, 5 pk
4648	Needle spring, 4 & 5mm
6007	Std. cleaning brush, 10 pk

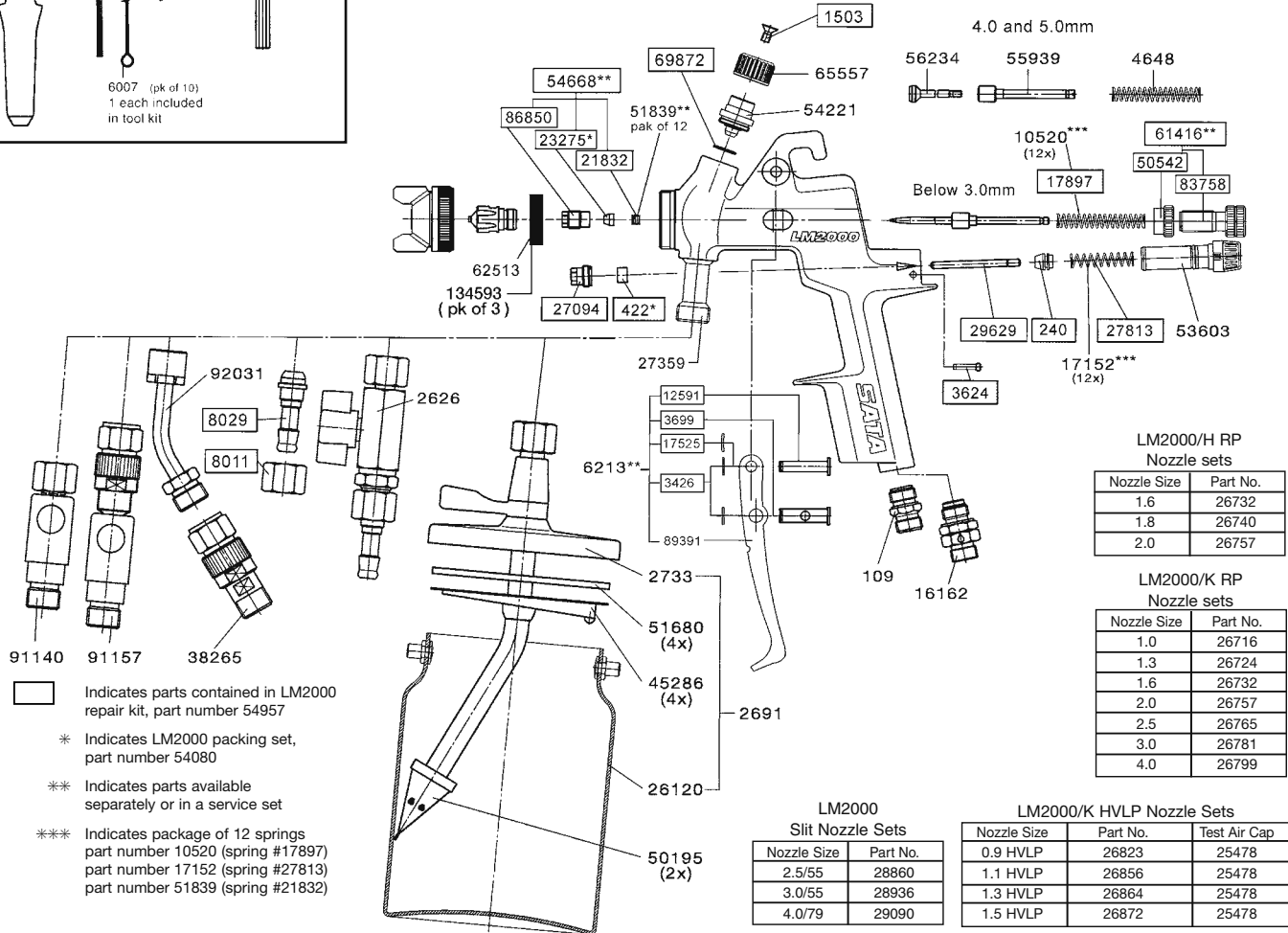
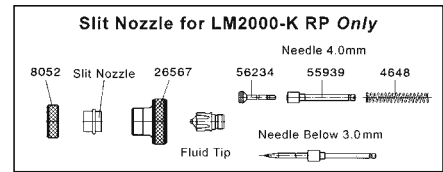
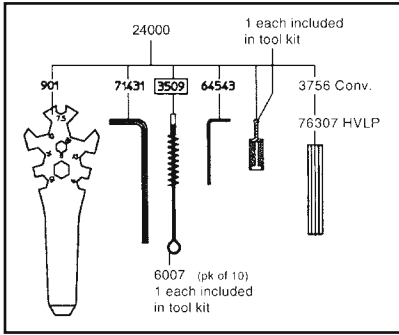
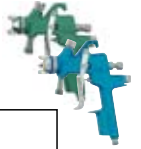
6213	Trigger Service Set
10520	Needle fitting, 12 pk #17897
12591	Pin, upper trigger
16162	Swivel inlet fitting
17152	Air piston spring, 12 pk #27813
17525	Lock spring
17897	Needle spring, each
21832	Needle packing spring
23275	Needle packing
24000	Tool set, LM2000
27094	Air piston bushing
27813	Air piston spring, each
29629	Air piston, LM2000
49395	Cup lid, 0.6 liter
49437	Cup lid drip ring, 0.6L, Pk of 5
50542	Lock nut, fluid control
51839	Needle packing spring, 12 pk #21832

53595	Plastic cup, 0.6 liter complete
53603	Air micrometer
54080	Packing set, LM2000
54668	Needle packing service set
54957	Repair kit, LM2000
61416	Fluid control service set
62513	Air ring, LM2000
64543	Allen wrench, 2mm
65557	Knob, fan control
71431	Allen wrench, 4mm
71555	Plastic lid, 3 pk
76307	Deep socket wrench
80168	Aluminum cup, 1 liter
83758	Fluid control
86850	Needle packing bushing
89391	Trigger
134593	Air Ring LM2000, 3 pk



# Replacement parts:

# SATA LM2000 K HVLP & RP and LM2000 H



LM2000/H RP Nozzle sets

Nozzle Size	Part No.
1.6	26732
1.8	26740
2.0	26757

LM2000/K RP Nozzle sets

Nozzle Size	Part No.
1.0	26716
1.3	26724
1.6	26732
2.0	26757
2.5	26765
3.0	26781
4.0	26799

LM2000 Slit Nozzle Sets

Nozzle Size	Part No.
2.5/55	28860
3.0/55	28936
4.0/79	29090

LM2000/K HVLP Nozzle Sets

Nozzle Size	Part No.	Test Air Cap
0.9 HVLP	26823	25478
1.1 HVLP	26856	25478
1.3 HVLP	26864	25478
1.5 HVLP	26872	25478

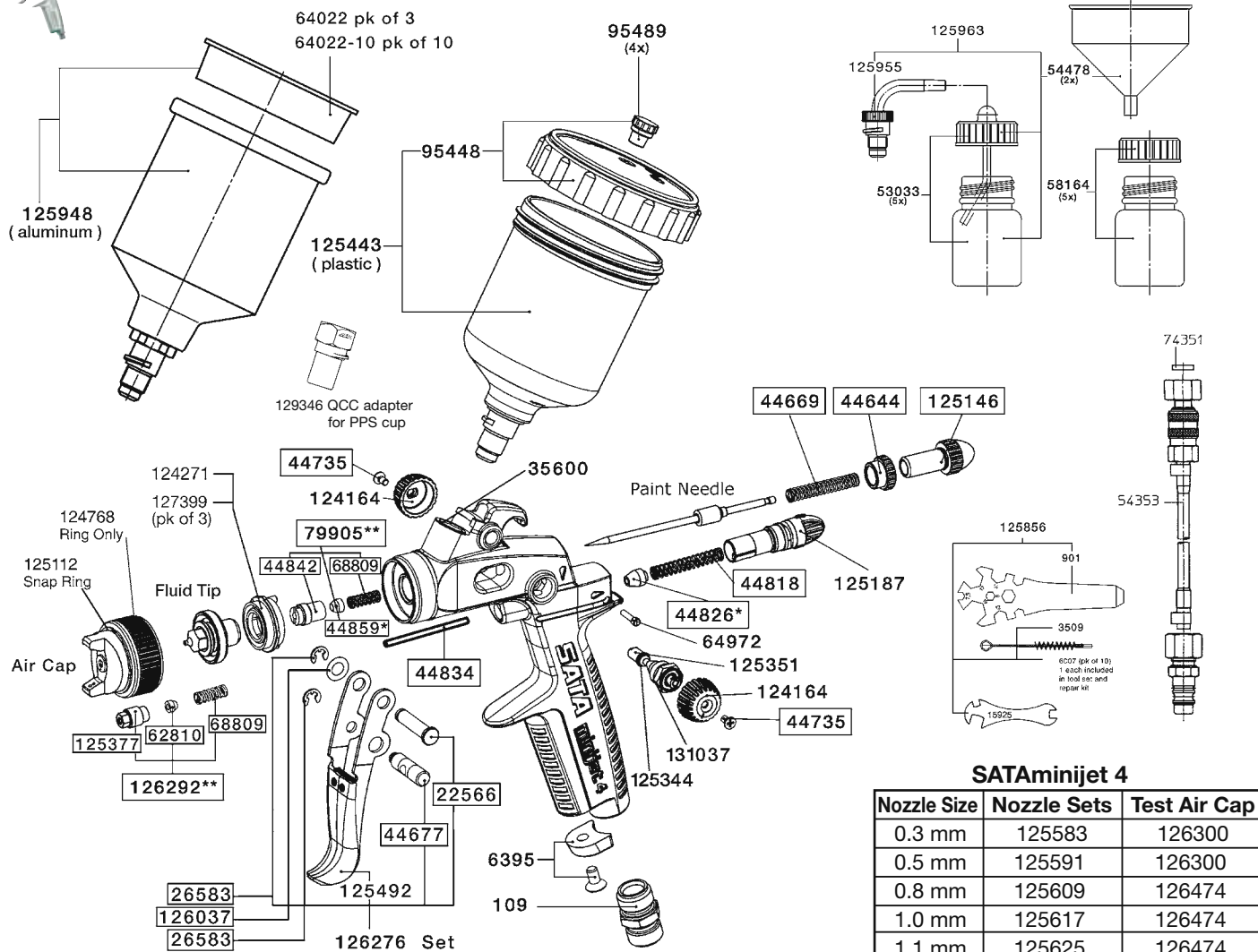
## Part # Description

109	Air inlet fitting, 1/4" BSP	12591	Pin, upper trigger	53603	Air micrometer
240	Air piston packing	16162	Swivel fitting, /BSP	54080	Packing set, LM2000
422	Needle and air piston packing	17152	Air piston spring, pk of 12 #27813	54221	Fan control, LM2000 H+K
901	Universal spanner wrench	17525	Lock spring	54668	Needle packing service set
1503	Fan control screw	17897	Needle spring	54957	Repair kit, LM2000
2188	Fan control, gravity	21832	Needle packing spring	55939	Needle rod, 4 & 5mm
2691	Cup and deck assembly, conventional	23275	Packing, needle	56234	Needle tip, 4 & 5mm
2733	Deck only	24000	Tool Set, LM2000	61416	Fluid control service set
3426	Circlip	26120	Aluminum cup, 1.0 liter	62513	Air distribution ring, LM2000
3509	Cleaning brush	26567	Mixing nozzle	64543	Allen wrench, 2mm
3624	Pin, micrometer	27094	Air piston packing holder	65557	Knob, fan control
3699	Pin, lower trigger	27359	Material inlet fitting	69872	"O" Ring, fan control
3756	Deep socket	27813	Air piston spring	71431	Allen wrench, 4mm
6007	Standard cleaning brush, pk of 10	29629	Air piston, LM2000	71555	Plastic lid, pk of 3
6213	Trigger service set	38265	Material filter, R 3/8	76307	Socket wrench
8011	Cap nut, 3/8	45286	Drip proof, pk of 4	83758	Fluid control
8029	Hose connect GR	50195	Sieve, conventional pk of 2	86850	Needle packing holder
8052	Retaining ring	50542	Lock nut, fluid control	89391	Trigger, with piston pad
10520	Needle spring, pk of 12 #17897	51680	Cup gasket, pk of 4	91140	QC w/Nipple
		51839	Needle packing spring, pk of 12 #21832	91157	QC w/Filter and nipple
				92031	Paint pipe, R 3/8
				134593	Air Ring LM 2000, 3 pk



## Replacement parts:

# SATaminijet 4 HVLP



□ Indicates parts contained in minijet 4 repair kit, part number **126284**

\* Indicates minijet 4 packing set, part number **50658**

\*\* Indicates parts are available separately or in a service set

### SATaminijet 4

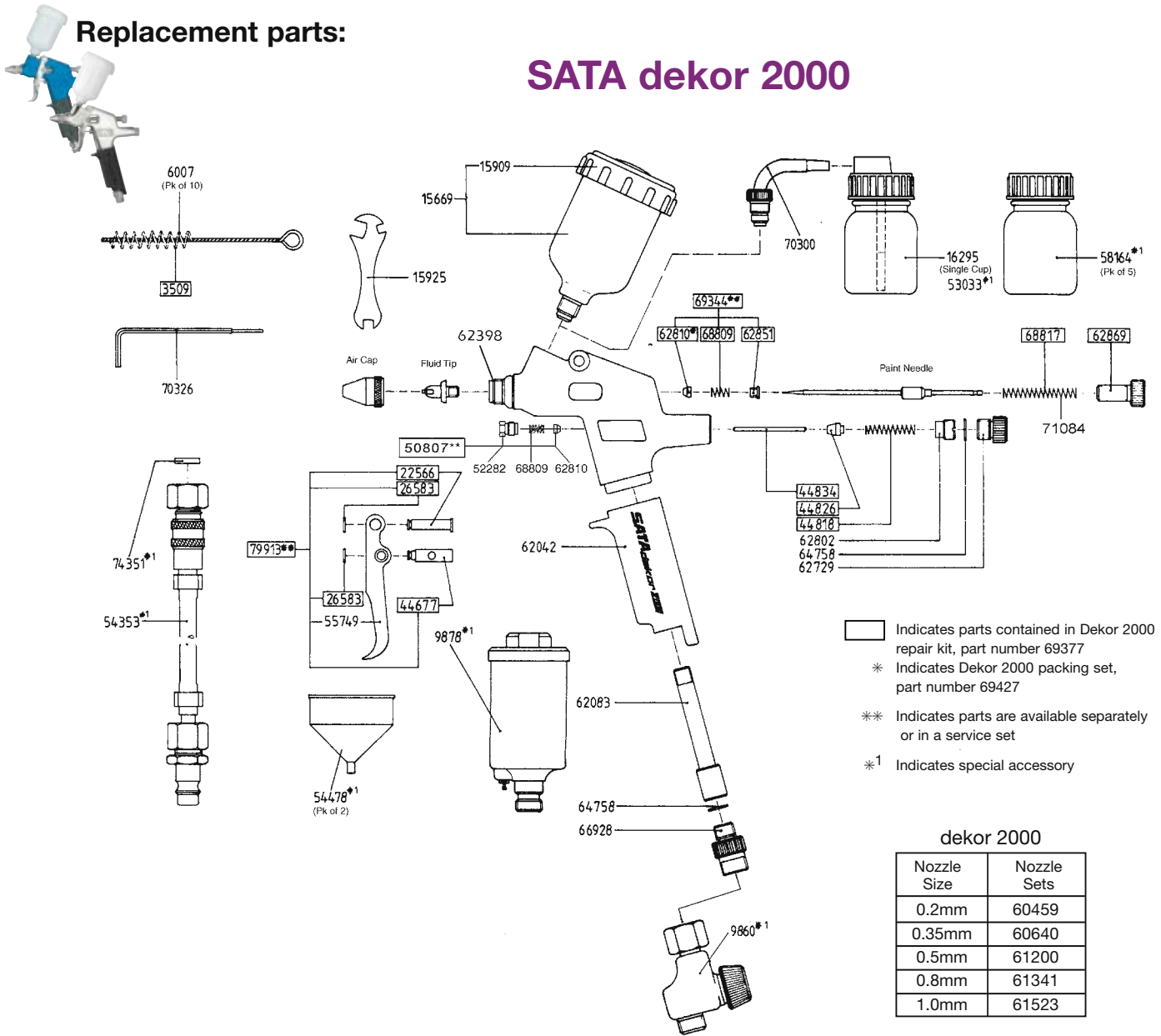
Nozzle Size	Nozzle Sets	Test Air Cap
0.3 mm	125583	126300
0.5 mm	125591	126300
0.8 mm	125609	126474
1.0 mm	125617	126474
1.1 mm	125625	126474
0.8 SR	125682	126482
1.0 SR	125690	126482
1.2 SR	125708	126490
1.4 SR	125716	126490

Part #	Description	Part #	Description	Part #	Description
50658	Packing set, minijet	125187	Air micrometer		
109	Air inlet fitting, 1/4 BSP	125344	Fan control, O Ring, small		
901	Universal spanner wrench	125351	Fan control		
3509	Standard cleaning brush	125377	Bushing, air piston		
6007	Standard brush, pk of 10	125443	.125 L QCC plastic cup w/lid		
6395	ColorCode discs, pk of 4	125492	Trigger		
15925	Spanner wrench, small	125856	Tool set		
22566	Pin, upper trigger	125948	.150 L QCC alum. cup w/lid		
26583	Circlip	125955	Adapter, plug-in cup (QCC)		
35600	Cup Seal	125963	Quick color change set		
44644	Lock nut	5 cups, 2 funnels, adapter			
44669	Spring, needle	126037	Washer, trigger pin		
44677	Pin, lower trigger	126276	Trigger service set		
44735	Screw, fan control	126284	Repair kit, minijet 4		
44818	Spring, air piston	126292	Air piston service set		
44826	Packing, air piston	127399	Air distribution ring, pk of 3		
44834	Air piston	129346	QCC adapter for PPS cup		
44842	Bushing, needle packing	131037	Fan control, O Ring, large		
44859	Packing, needle				



**Replacement parts:**

**SATA dekor 2000**



- ☐ Indicates parts contained in Dekor 2000 repair kit, part number 69377
- \* Indicates Dekor 2000 packing set, part number 69427
- \*\* Indicates parts are available separately or in a service set
- \*1 Indicates special accessory

dekor 2000	
Nozzle Size	Nozzle Sets
0.2mm	60459
0.35mm	60640
0.5mm	61200
0.8mm	61341
1.0mm	61523

**Part # Description**

- |  |                                  |                                  |
|--|----------------------------------|----------------------------------|
| 3509 Cleaning brush                    | 50807 Air piston service set     | 64758 "O" ring, 8x1              |
| 6007 Standard cleaning brush, pk of 10 | 52282 Bushing, air piston        | 66928 Air inlet fitting          |
| 9860 Air micrometer without gauge      | 53033 Plug-in cup, pk of 5       | 68809 Spring, needle packing     |
| 9878 Mini water separator              | 54353 Accessory air hose         | 68817 Spring, needle             |
| 15669 65cc plastic gravity cup         | 54478 Funnel sieve, pk of 2      | 69344 Needle packing service set |
| 15909 65cc cup lid                     | 55749 Trigger                    | 69427 Packing set, Dekor 2000    |
| 15925 Spanner wrench                   | 58164 Glass cup, pk of 5         | 70300 Adapter, plug-in cup       |
| 16295 Plug-in cup, complete            | 62042 Spray gun handle           | 70326 Allen wrench               |
| 22566 Pin, upper trigger               | 62083 Air tube                   | 74351 Gasket, air hose           |
| 26583 Circlip                          | 62398 Nozzle spindle, Dekor 2000 | 79913 Trigger service set        |
| 44677 Pin, lower trigger               | 62729 End screw                  | 91165 Repair kit, Dekor 2000     |
| 44818 Spring, air piston               | 62802 Compression bushing        |                                  |
| 44826 Packing, air piston              | 62810 Needle packing             |                                  |
| 44834 Air piston                       | 62851 Needle bushing             |                                  |
|  | 62869 Knob, fluid control        |                                  |

**Replacement parts for S/N below 6000**  
 69377 Repair kit, Dekor 2000,

## Replacement parts:

# SATAgraph 1 - 2 - 3 Artbrush

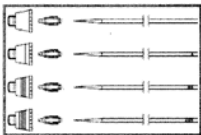
Part #	Description
31781	Cup, gravity 4ml w/lid graph 2
32029	Cup lid, pk of 3, graph 2
32276	Repair kit, graph 2
32615	Nipple, pk of 3
32987	Air hose, 3 meter w/fittings
33001	Grip housing, graph 2
33019	Glass cup, 15ml w/lid, graph 2
33019-B	Glass cup w/blind cap, graph 2
33019-C	Blind cap only, graph 2
33019-G	Glass cup only, graph 2
33019-L	Siphon lid only, graph 2
33092	Glass cup, pk of 5 w/1 siphon, graph 2
33092-S	Glass cup, pk of 5 w/5 siphon, graph 2
35964	Air cap diffuser, graph 2
36020	Trigger, graph 2
134767	Cup, gravity 2.5ml w/lid graph 1 & 3
134775	Cup, gravity 5ml w/lid graph 1 & 3
134783	Cup, siphon 5ml w/lid graph 1 & 3
134791	Braided air hose, 2.5 meter w/fittings
134809	Trigger, Graph 1
134817	Air cap diffuser, graph 3
134825	Grip housing, graph 1
134833	Grip housing complete, graph 3
134841	Repair kit, graph 1
134858	Repair kit, graph 3
134957	Trigger, graph 3
138909	"O" Ring, pk of 5, graph 1, 2 & 3
142638	"O" Ring, pk of 5, graph 1 & 3

- \*** Indicates parts contained in graph 1 repair kit 134841
- \*\*** Indicates parts contained in graph 2 repair kit 32276
- \*\*\*** Indicates parts contained in graph 3 repair kit 134858

### Nozzle Sets for SATAgraph 1-2-3

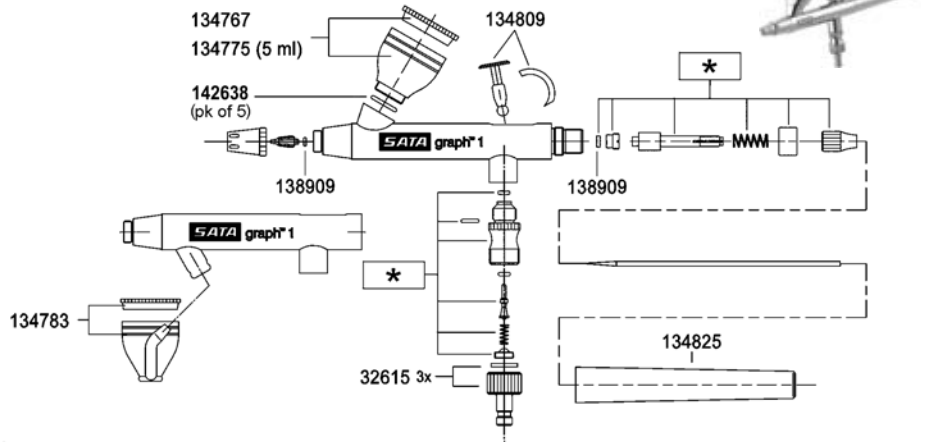
Nozzle Size	SATA graph 1	SATA graph 2	SATA graph 3
0.15mm			134643
0.20mm		123448	
0.25mm	134619	31476	134650
0.45mm	134635		134668
0.65mm			134676

### Nozzle Set Identification Chart for SATAgraph 3

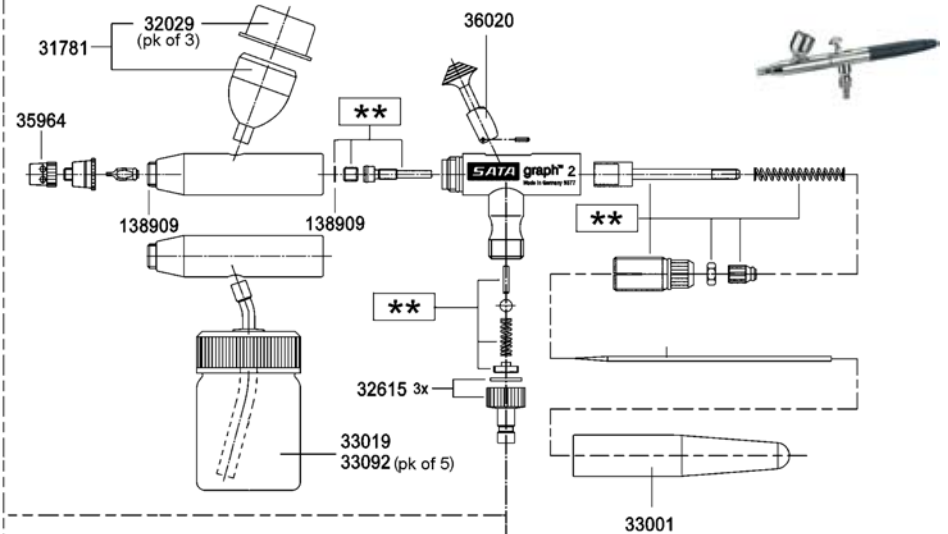


- 134643 0,15 for SATAgraph 3 (without marking)
- 134650 0,25 for SATAgraph 3 (1 groove on paint needle, paint nozzle/air cap)
- 134668 0,45 for SATAgraph 3 (3 grooves on paint needle, paint nozzle/air cap)
- 134676 0,65 for SATAgraph 3 (4 grooves on paint needle, paint nozzle/air cap)

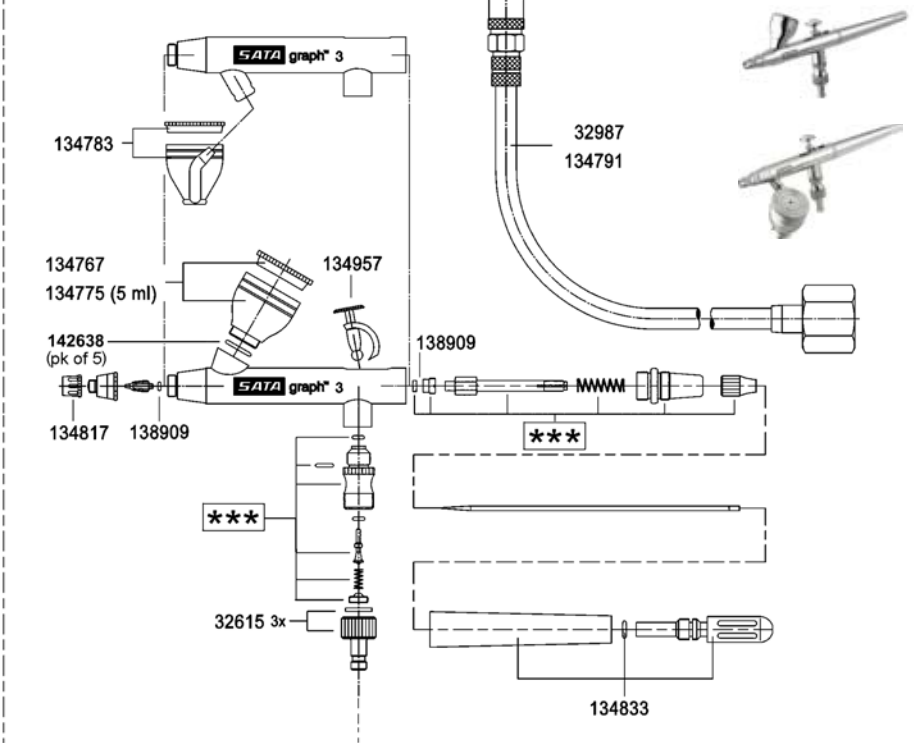
### SATAgraph 1



### SATAgraph 2



### SATAgraph 3



# Replacement parts:

## SATAjet/B

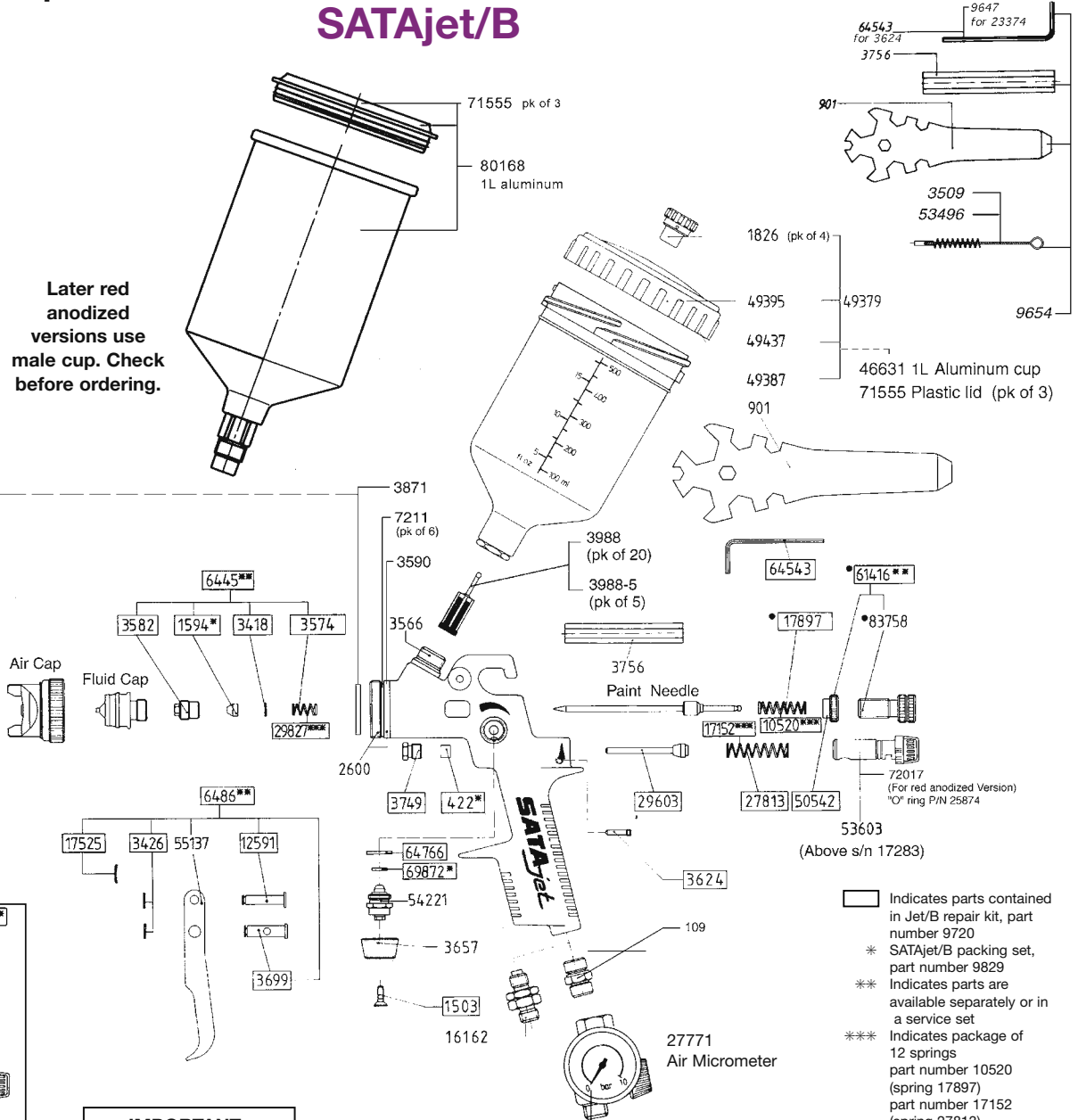
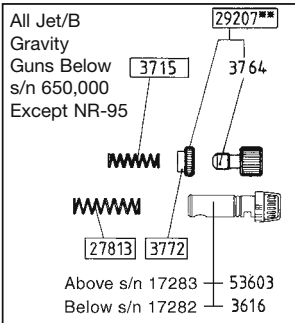


Later red anodized versions use male cup. Check before ordering.

**Warning**  
Removing and installing the air distribution spindle requires specialized procedures and tools. The manufacturer recommends spindle service be performed by a qualified technician. Damage caused by faulty repair work voids the warranty.

### JET B Nozzle Sets

Nozzle Size	Part No.
1.0E	4143
MSB(1.3)	4127
1.4E	3848
1.5E	4119
1.7E	4101
2.0	4093
2.5	13003



**IMPORTANT:  
CHECK S/N BEFORE  
ORDERING PARTS**

- Indicates parts contained in Jet/B repair kit, part number 9720
- \* SATAjet/B packing set, part number 9829
- \*\* Indicates parts are available separately or in a service set
- \*\*\* Indicates package of 12 springs part number 10520 (spring 17897) part number 17152 (spring 27813) part number 29827 (spring 3574)
- Above s/n 650,000

### Part # Description

109	Air inlet fitting, 1/4 BSP	6445	Needle packing set	49395	Cup lid, 0.6 liter
240	Air cutoff packing	6486	Trigger service set	49437	Cup lid drip ring, 0.6L, Pk of 5
422	Air piston packing	7211	Nozzle seal, pk of 6	50542	Lock nut, fluid control
901	Spanner wrench	9720	Repair kit, Jet/B all except NR-95	53603	Air micrometer
1503	Fan control screw	9829	Packing set, Jet/B all except NR-95	54221	Fan control
1594	Needle packing	10520	Needle spring, pk of 12 #17897	69666	Repair Kit, above S/N 650,000
1826	Non-drip device, pk of 4	12591	Pin, upper trigger	69872	Control packing ring
2600	Spindle service set	16162	Swivel fitting, 1/4 BSP	71555	Plastic lid (pk of 3)
3418	Packing washer	17152	Air piston spring, pk of 12 #27813	72017	End plug
3426	Circlip, pin	17897	Needle spring	80168	1L Aluminum cup (male)
3566	Fluid inlet nipple	25874	"O" ring	83758	Fluid regulating control
3574	Needle packing spring	27771	Air micrometer with gauge		
3582	Needle packing holder	27813	Air piston spring		
3590	Air distribution spacer	29603	Air piston		
3624	Pin, micrometer	29827	Needle packing spring, pk of 12 #3574		
3657	Knob, fan control	46631	1L Aluminum cup (female)		
3699	Pin, lower trigger	49379	0.6 liter plastic gravity cup		
3749	Air piston packing holder				
3756	Socket wrench				
3871	Air distribution spindle				
3988	Paint sieve, pk of 20				
3988-5	Paint sieve, pk of 5				

### PARTS FOR SATAJET/B WITH S/N BELOW 650,000

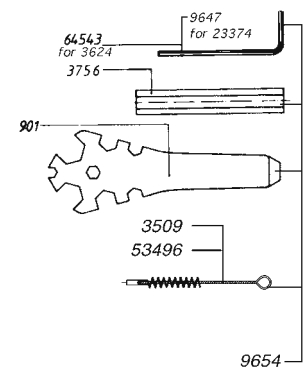
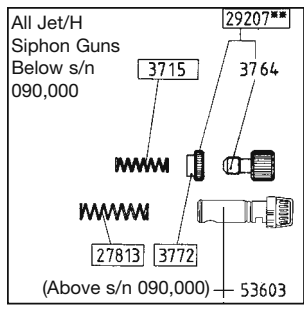
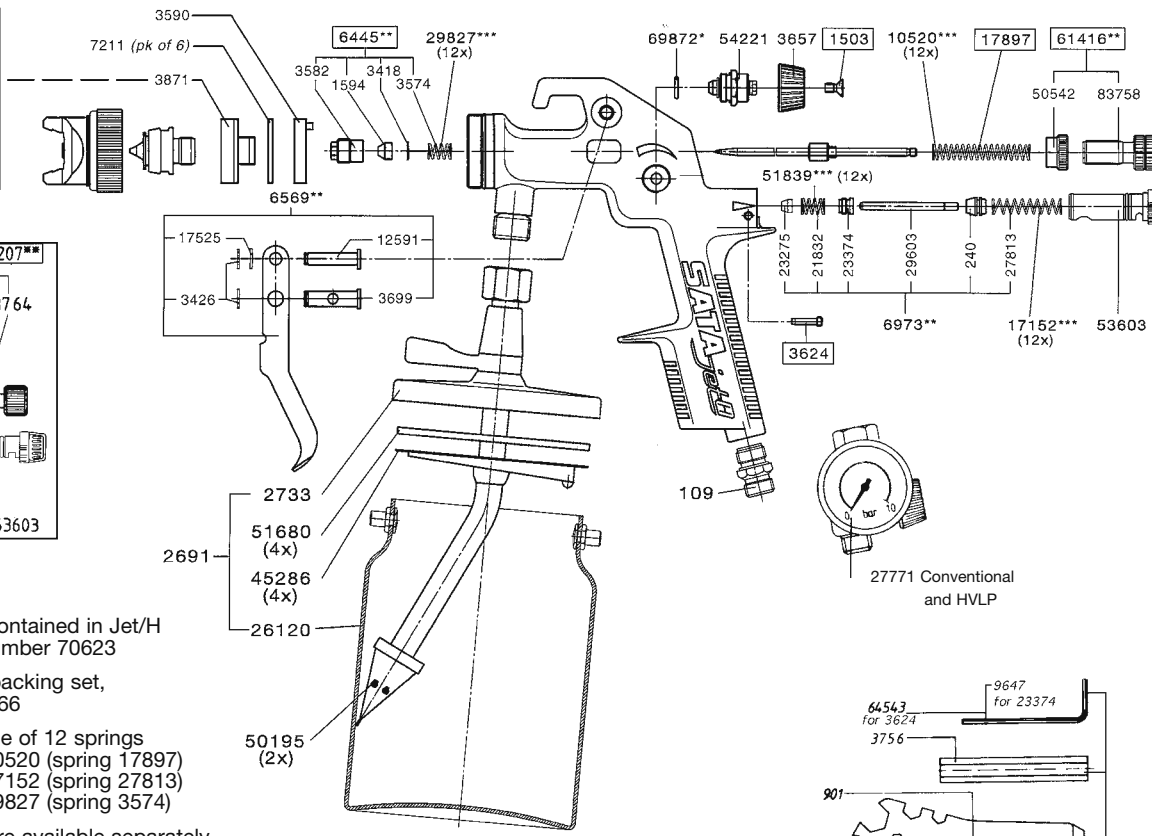
3715	Needle spring
3764	Fluid regulating control
3772	Lock nut, fluid control
29207	Fluid control service set

# Replacement parts:

# SATAjet/H



**Warning**  
Removing and installing the air distribution spindle requires specialized procedures and tools. The manufacturer recommends spindle service be performed by a qualified technician. Damage caused by faulty repair work voids the warranty.



- Indicates parts contained in Jet/H repair kit, part number 70623
- \* Indicates Jet/H packing set, part number 50666
- \*\*\* Indicates package of 12 springs  
part number 10520 (spring 17897)  
part number 17152 (spring 27813)  
part number 29827 (spring 3574)
- Indicates parts are available separately or in a service set
- ① Indicates production before 9/92 used metric thread M16 x 1.5
- Above s/n 090,000

**IMPORTANT:  
CHECK S/N BEFORE  
ORDERING PARTS**

Nozzle Sets	
Nozzle Size	Part No.
1.5EH	23663
MSH(1.7)	23697
2.0EH	23689

**Part # Description**

- |      |                             |       |                                       |       |                                      |
|------|-----------------------------|-------|---------------------------------------|-------|--------------------------------------|
| 109  | Air inlet fitting, 1/4 BSP  | 7211  | Nozzle seal, pk of 6                  | 50666 | Packing set, Jet/H                   |
| 240  | Air piston packing          | 9647  | Allen wrench, 4 mm                    | 51680 | Cup gasket, pk of 4                  |
| 901  | Spanner wrench              | 9654  | Tool kit                              | 53496 | Pick-up tube brush                   |
| 1503 | Fan control screw           | 10520 | Needle spring, pk of 12 #17897        | 53603 | Air micrometer                       |
| 1594 | Needle packing              | 12591 | Pin, upper trigger                    | 54221 | Fan control                          |
| 2600 | Spindle service set         | 17152 | Air piston spring, pk of 12 #27813    | 55137 | Trigger                              |
| 2691 | Cup and deck assemble.      | 17525 | Lock spring                           | 61416 | Fluid control service set            |
| 2733 | Deck assembly, conventional | 17897 | Needle spring                         | 64543 | Allen wrench, 2 mm                   |
| 3418 | Packing washer              | 21832 | Air piston packing spring             | 69872 | "O" ring fan control                 |
| 3426 | Circlip, pin                | 23275 | Air piston packing                    | 70623 | Repair kit, Jet/H (above s/n 90,000) |
| 3509 | Std. cleaning brush         | 23374 | Air piston packing holder             | 83758 | Fluid regulating control             |
| 3574 | Needle packing spring       | 26120 | Aluminum cup, 1.0 liter               |       |                                      |
| 3582 | Needle packing holder       | 27771 | Air micrometer with gauge             |       |                                      |
| 3590 | Air distribution spacer     | 27813 | Air piston spring                     |       |                                      |
| 3624 | Pin, micrometer             | 29603 | Air piston                            |       |                                      |
| 3657 | Knob, fan control           | 29827 | Needle packing spring, pk of 12 #3574 |       |                                      |
| 3699 | Pin, lower trigger          | 45286 | Drip proof, pk of 4                   |       |                                      |
| 3756 | Socket wrench               | 46300 | Fluid inlet nipple                    |       |                                      |
| 3871 | Air distribution spindle    | 50195 | Sieve, conventional, pk of 2          |       |                                      |
| 6445 | Needle packing service set  | 50542 | Lock nut, fluid control               |       |                                      |
| 6569 | Trigger service set         |       |                                       |       |                                      |
| 6973 | Air piston service set      |       |                                       |       |                                      |

**PARTS FOR SATAJET/H  
WITH S/N BELOW 090,000**  
3715 Needle spring  
3764 Fluid regulating control  
3772 Lock nut, fluid control  
6486 Trigger service set  
29207 Fluid control service set  
50799 Jet/H repair kit (below s/n 89,999)

## Replacement parts:

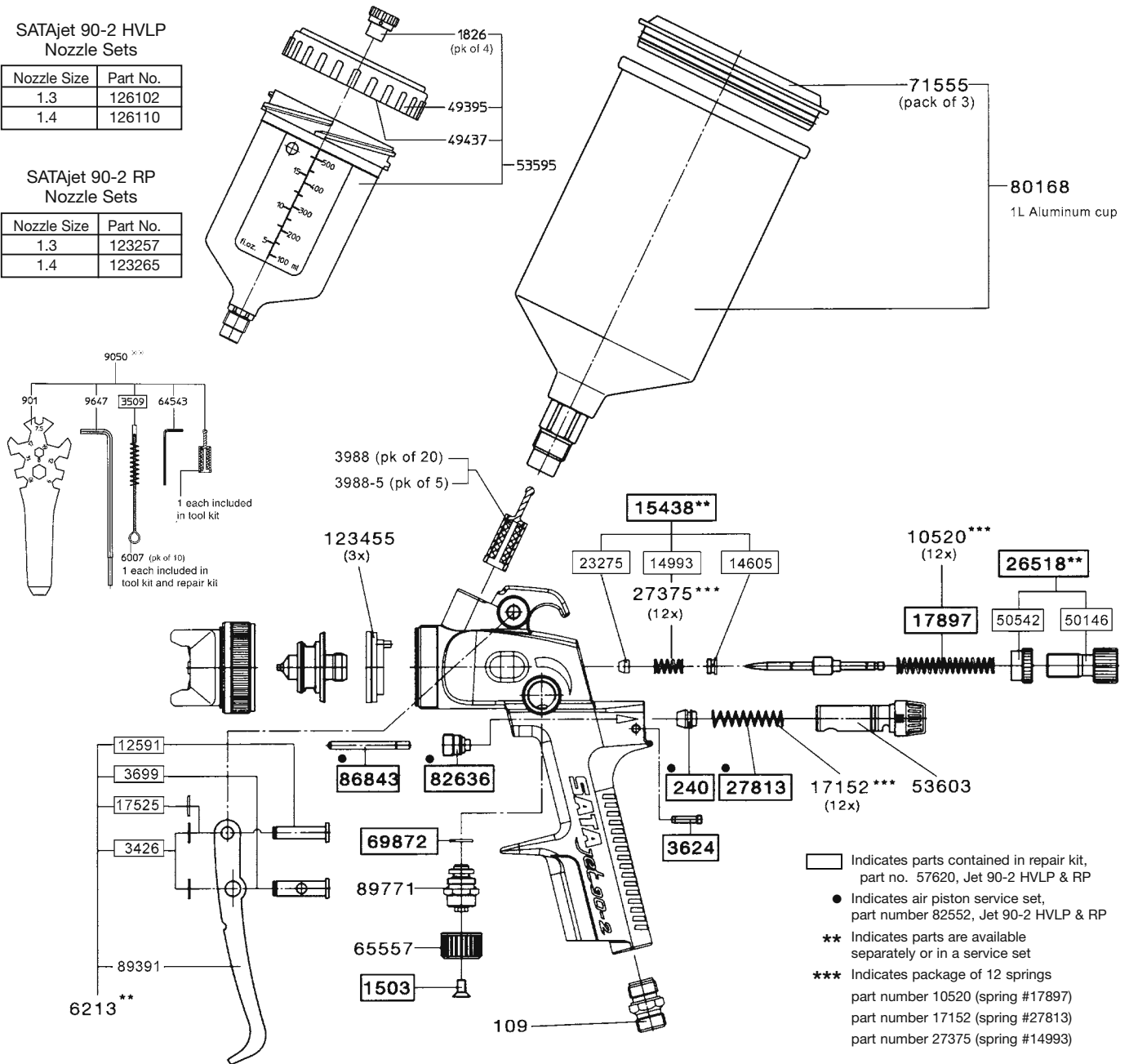
# SATAjet 90-2 HVLP and 90-2 RP

### SATAjet 90-2 HVLP Nozzle Sets

Nozzle Size	Part No.
1.3	126102
1.4	126110

### SATAjet 90-2 RP Nozzle Sets

Nozzle Size	Part No.
1.3	123257
1.4	123265



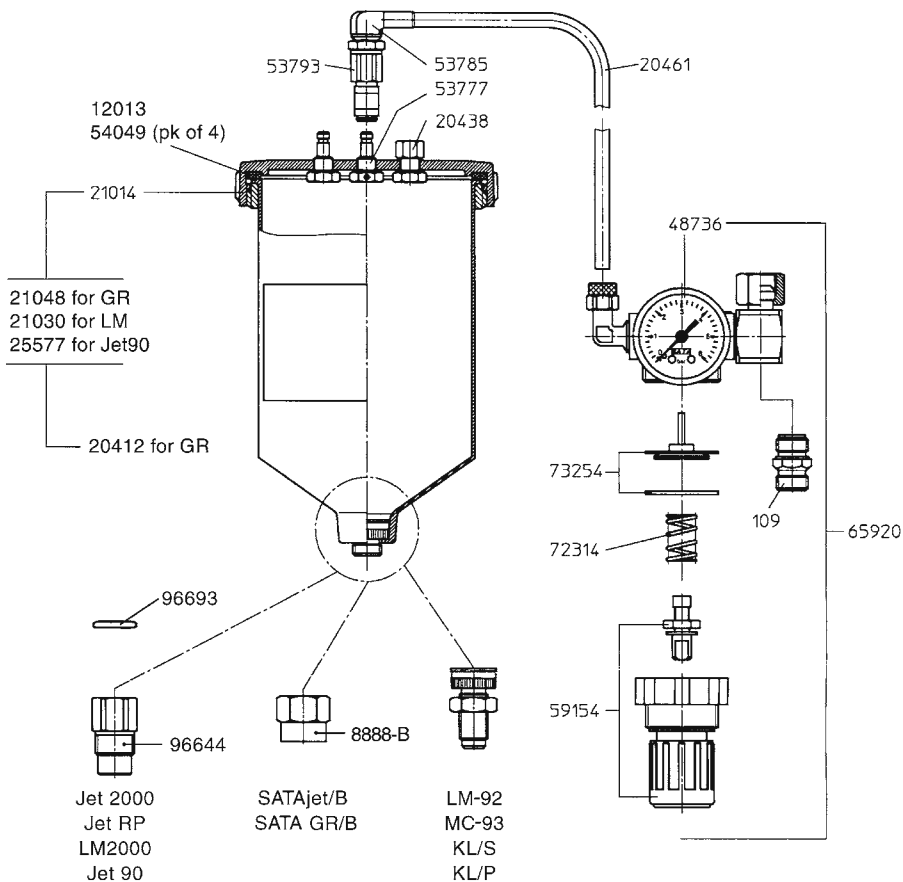
### Part # Description

109	Air inlet fitting	9647	Allen wrench, 4mm	50146	Fluid regulating control
240	Air piston packing	10520	Needle spring, 12 pk #17897	50542	Lock nut, fluid control
901	Universal spanner wrench	12591	Pin, upper trigger	53595	Plastic cup, 0.6 liter complete
1503	Fan control screw	14605	Bushing, needle packing	53603	Air micrometer
1826	Non-Drip device, 4 pk	14993	Packing spring, each	57620	Repair kit, Jet 90-2
3426	Circlip, pin	15438	Needle packing service set	64543	Allen wrench, 2mm
3509	Standard cleaning brush	17152	Air piston spring, 12 pk #27813	69872	Control "O" ring
3624	Pin, micrometer	17525	Lock spring	71555	Plastic lid, 3 pk
3657	Knob, fan control	17897	Needle spring, each	80168	Aluminum cup, 1 liter
3699	Pin, lower trigger	23275	Needle packing	82552	Air piston service set
3988	Paint sieve, 20 pk	26518	Fluid control service set	82636	Bushing, air piston
3988-5	Paint sieve, 5 pk	27375	Packing spring, 12 pk #14993	86843	Air piston
6007	Std. cleaning brush, 10 pk	27813	Air piston spring, each	89391	Trigger
6213	Trigger Service Set	49395	Cup lid, 0.6 liter	89771	Fan control
9050	Tool set, Jet 90-2 HVLP & RP	49437	Cup lid drip ring, 0.6L, pk of 5	123455	Air ring, 3 pk



## Replacement parts:

# SATA Pressurized Cup



## Part # Description - Pressurized cup

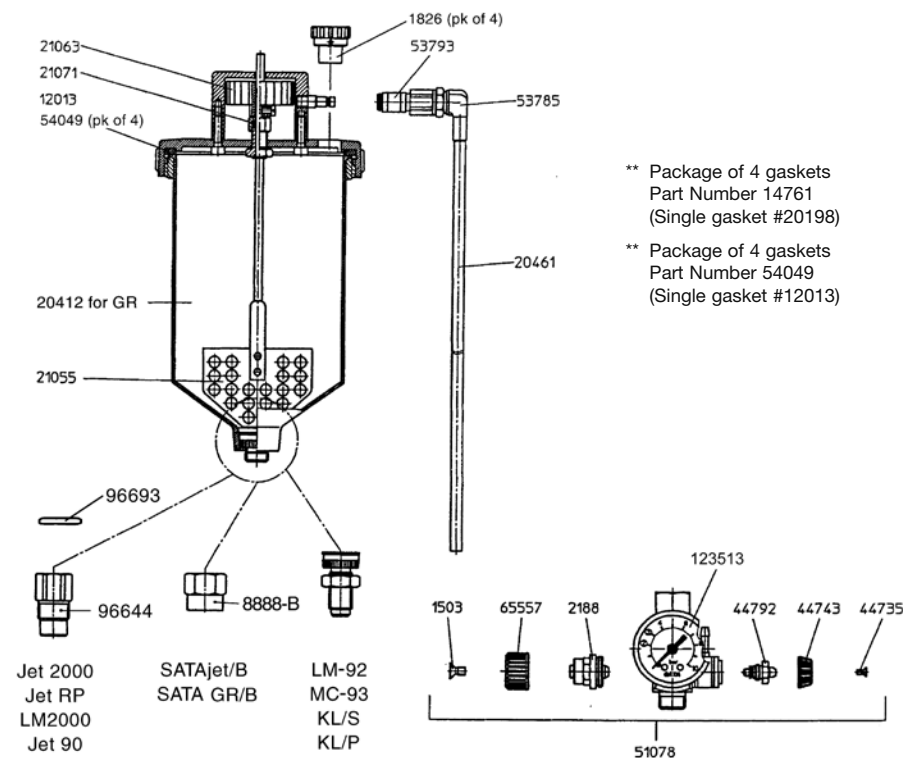
109	Air inlet fitting, 1/4" BSP
8888	Male cup fitting
8888-B	Female cup fitting
12013	Single gasket, aluminum lid
20412	Aluminum cup, Jet, GR
20438	Over pressure valve
20461	Hose with kink-free spring
21014	Lid complete with gasket
21030	LM pressure cup, complete
21048	Jet, GR pressure cup, complete
25577	Jet 90 pressure cup, complete
29678	Aluminum cup, Jet 90
48736	Pressure gauge
53777	Air fitting, complete
53785	Fitting, R 1/8
53793	Coupling, R 1/8
54049	Gasket, pkg. of 4, aluminum lid
59154	Spring housing, complete
65920	Pressure regulator, complete
72314	Spring, pressure regulator
73254	Repair kit, regulator
96644	QCC fitting
96693	QCC red ring

## Parts for regulator prior to 9/97

9977	Membrane, pressure regulator
72231	Spring housing, complete
79871	Membrane service set

## Replacement parts:

# SATA Agitator Cup



\*\* Package of 4 gaskets  
Part Number 14761  
(Single gasket #20198)

\*\* Package of 4 gaskets  
Part Number 54049  
(Single gasket #12013)

## Part # Description - Agitator cup

1503	Control knob screw
1826	Non-drip, pkg. of 4
2188	Air control
8888	Male cup fitting
8888-B	Female cup fitting
12013	Single gasket, aluminum lid
20412	Aluminum cup, Jet, GR
20461	Hose with kink-free spring
21055	Stirring paddle
21063	Air drive
21071	Seal, paddle shaft
44735	Control knob screw
44743	Control knob
44792	Micrometer control
51078	Regulator valve, complete
53785	Fitting, R 1/8
53793	Coupling, R 1/8
54049	Gasket, pkg. of 4, aluminum lid
65557	Control knob
96644	QCC fitting
96693	QCC red ring
123513	Pressure gauge

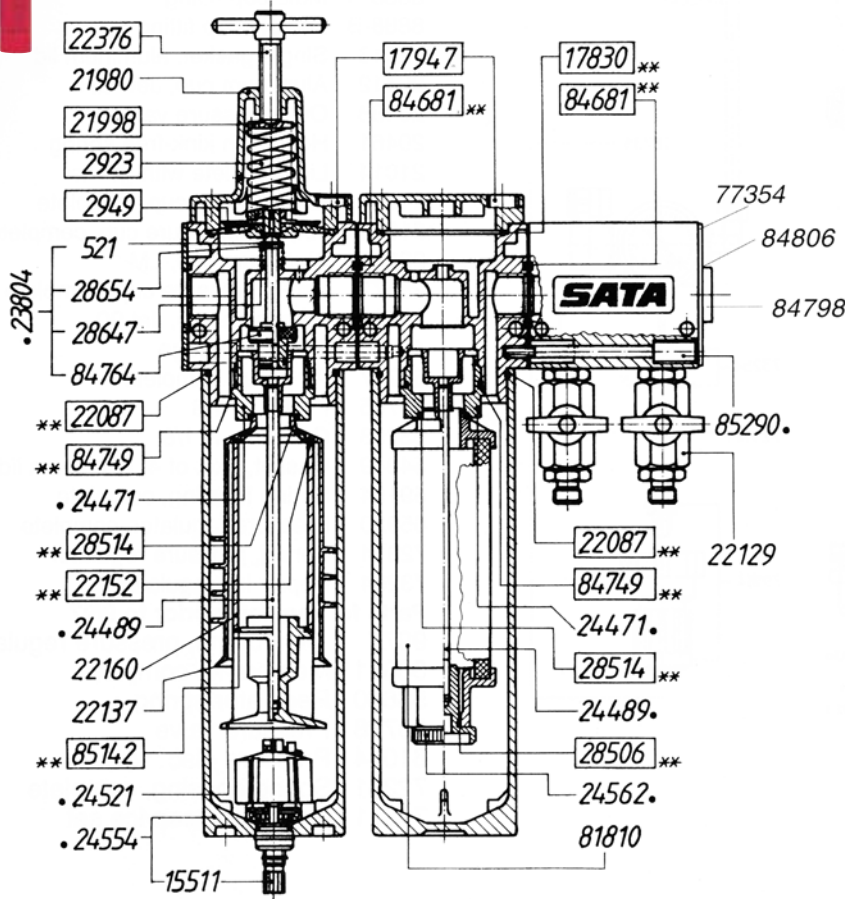
## Parts for older version

20198	Single gasket, plastic lid
26583	Circlip, shaft
54221	Air control

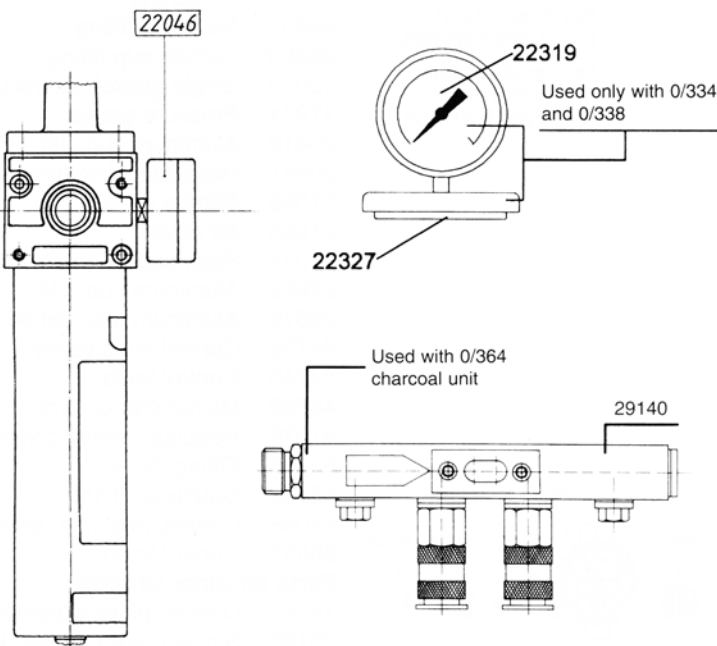


Replacement parts:

# SATA 0/300 Filter Series



0/300 Series mounting set Part Number 85340  
 Filter housing spanner Part Number 85357



□ Parts included in repair kit part number 24380

\*\* Parts included in gasket set part number 24448 (4 ea "O" rings included)

• Parts in this group only available as a set

**Filters:**

- 22160 Sintered bronze filter
- 81810 Fine filter
- 85365 Ultra-fine filter
- 85373 Activated charcoal filter

**The parts drawing is common to all filters in the series.**

- 0/314, 0/314L - Left module without regulator
- 0/324, 0/324L - Left module with regulator
- 0/334, 0/334L - Right module
- 0/338, 0/338L - Right module
- 0/344 - Both modules as illustrated
- 0/354 - Both modules and 0/338 ultra fine filter unit
- 0/364, 0/364L - Activated charcoal unit
- 0/374 - Right module and 0/364 charcoal unit
- 0/384 - Both modules and 0/364 charcoal unit
- 0/394 - Both modules and 0/364 charcoal unit

**Part # Description**

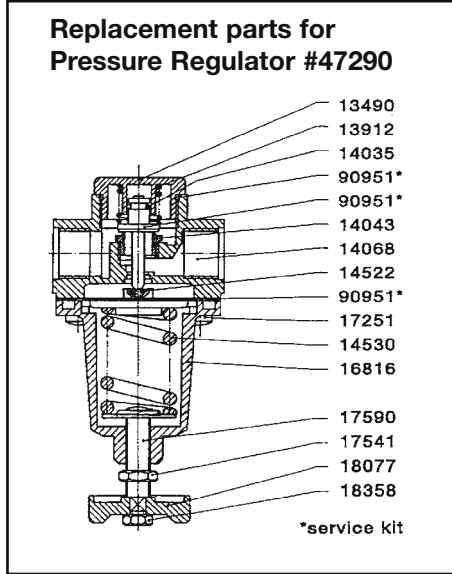
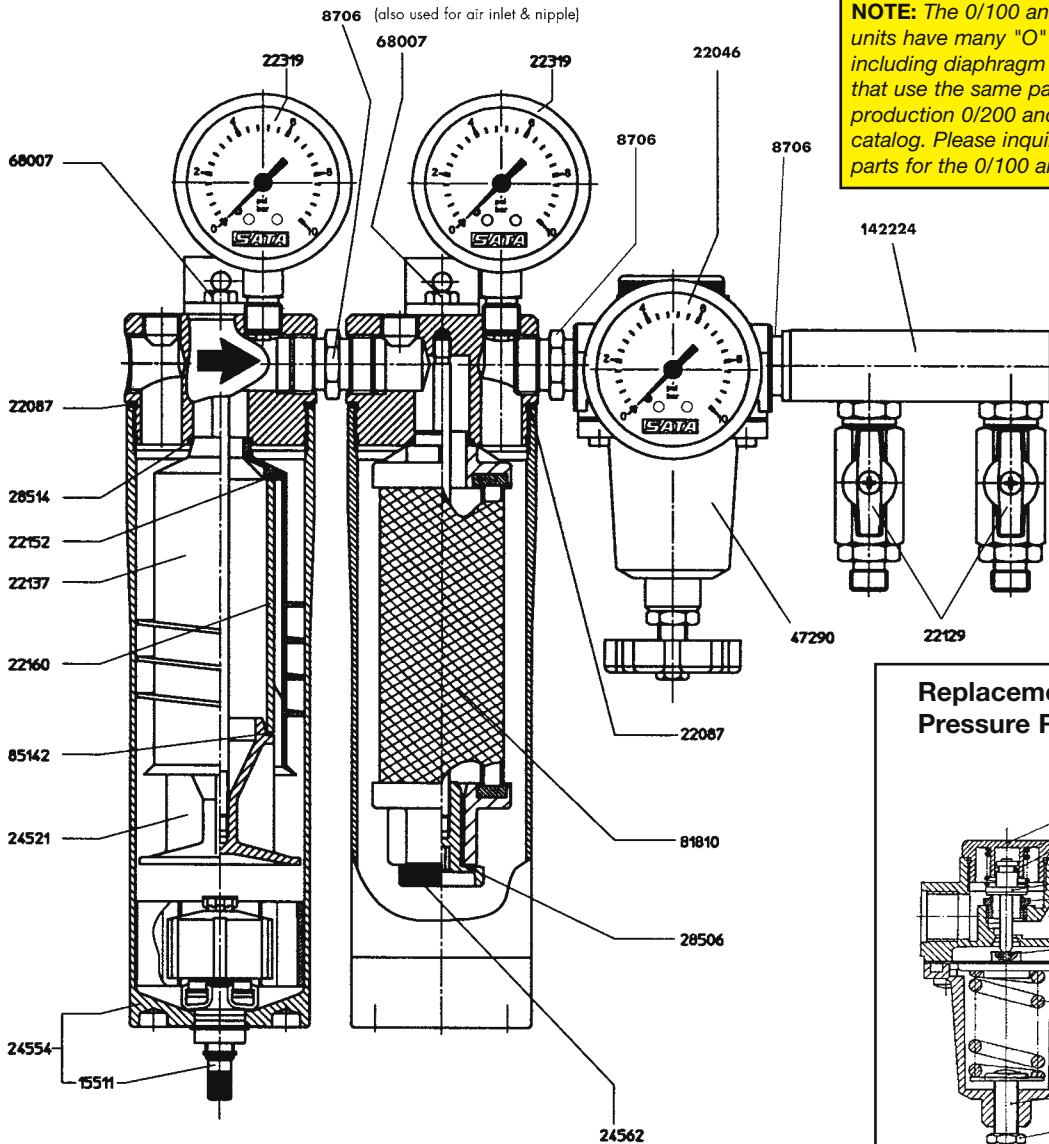
Part #	Description
521	Washer, DIN 5, 0/300
2923	Spring, 0/300 line
2949	Diaphragm, 0/300 line
15511	Auto. Condensate Discharger
17830	"O" ring, 0/300 line
17947	Cap screw, mounting plate
21980	Valve housing, 0/300 line
21998	Pressure plate
22046	Pressure gauge
22087	"O" ring, 0/300 line
22129	Teflon ball valve
22137	Cyclone tube
22152	"O" ring, 0/300 line
22160	Sintered bronze filter
22319	Pressure gauge, 0/134, 0/334
22327	Pressure plate, 0/134, 0/334
22376	"T" handle, 0/300 line
23804	Pressure valve, complete
24380	Repair kit, 0/300 line
24448	Gasket set, 0/300 line
24471	PVC nut with "O" rings
24489	Mounting rod with pressure valve
24521	Baffle with "O" ring
24554	Housing tube with auto. cond. dis.
24562	Adapter with "O" ring, 0/300
28506	"O" ring, 0/300 line
28514	"O" ring, 0/300 line
28647	N/A separately, order 23804
28654	N/A separately, order 23804
29140	Manifold, 0/364 with couplings
29256	Manifold, 0/364L for line filter
77354	End piece, plastic
81810	Fine filter, 0/134, 0/334
84681	"O" ring 25 x 2.5, 0/300
84749	"O" ring 33 x 2, 0/300
84764	Valve rod, 0/324
84798	Plug, brass hollow hex 1/2
84806	Aluminum plug washer
85142	"O" ring 30 x 1.5 0/300
85290	Air module mounting kit
85340	Mounting screw set (not illus.)
85357	Housing spanner wrench (not illus.)
85365	Ultra-fine filter, 0/338
85373	Activated charcoal cartridge, 0/364

## Replacement parts:

# SATA 0/200 Filter Series



**NOTE:** The 0/100 and 0/300 series filter units have many "O" rings and internal parts including diaphragm and replacement filters that use the same part numbers as the current production 0/200 and 0/400 units shown in this catalog. Please inquire if you need replacement parts for the 0/100 and 0/300 filter series



□ Indicates parts contained in 0/200 repair kit, part number 90993

**Filters:**  
 — 22160 Sinterd bronze  
 — 81810 Fine filter

The parts drawing is common to all filters in the series.

- 0/222 - Left module w/o regulator
- 0/223 - Left module w/o regulator
- 0/242 - Both modules w/o regulator
- 0/243 - Both modules w/o regulator
- 0/244 - Both modules with regulator

Part #	Description
8706	Double ended nipple, 1/2 x 1/2
13607	Male coupling
13656	Female nipple
15511	Auto. Condensate Discharger
22046	Pressure gauge
22087	"O" ring, 0/300 line
22129	Teflon ball valve
22137	Cyclone tube
22152	"O" ring, 0/300 line

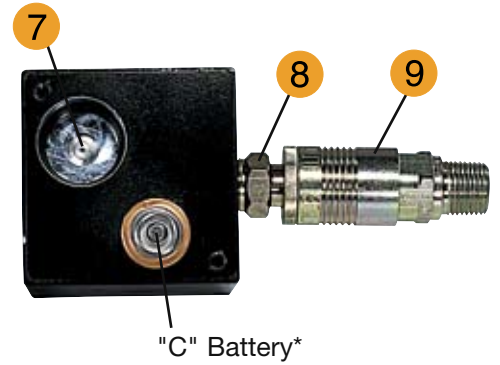
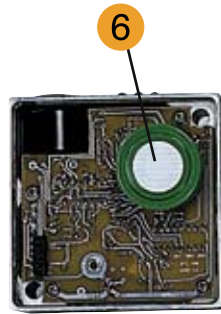
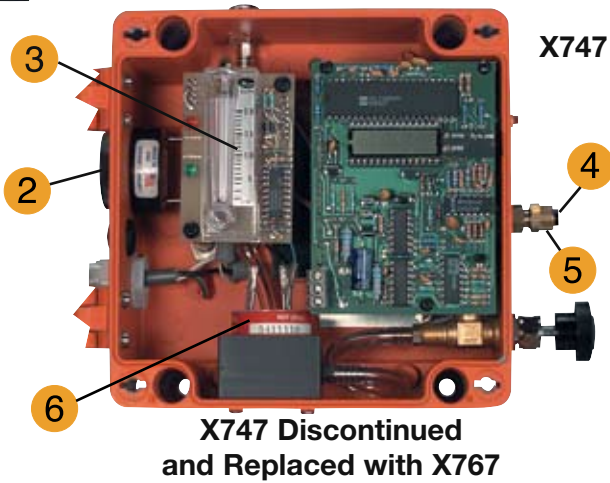
22160	Sintered bronze filter
22319	Pressure gauge, 0/134, 0/334
24521	Baffle with "O" ring
24554	Housing tube with auto. cond. dis.
24562	Adapter with "O" ring, 0/300
28506	"O" ring, 0/300 line
28514	"O" ring, 0/300 line
47290	Pressure regulator with gauge
58784	Outlet manifold
68007	Hex screw, M6x14
81810	Fine filter, 0/134, 0/334
84798	Plug, brass hollow hex 1/2
84806	Aluminum plug washer
85142	"O" ring 30 x 1.5 0/300
85357	Housing spanner wrench (not illus.)
90993	Repair kit, 0/200
142224	Outlet manifold

### Replacement Parts for Pressure Regulator #47290

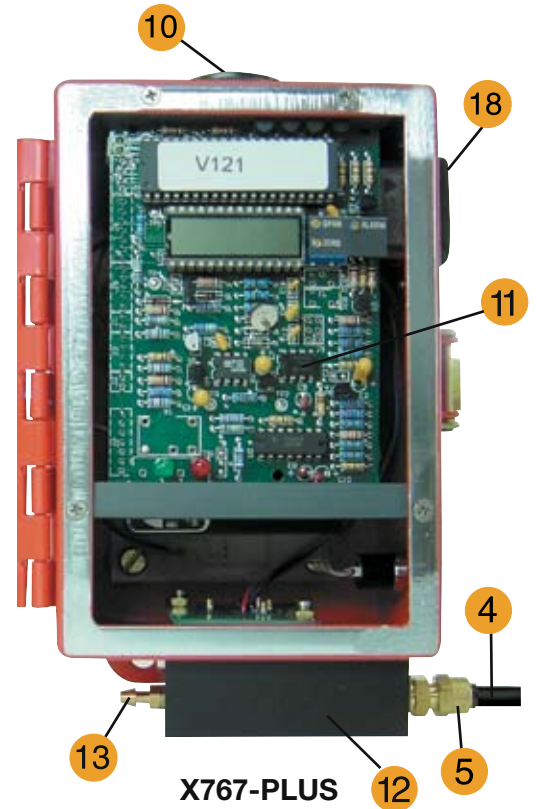
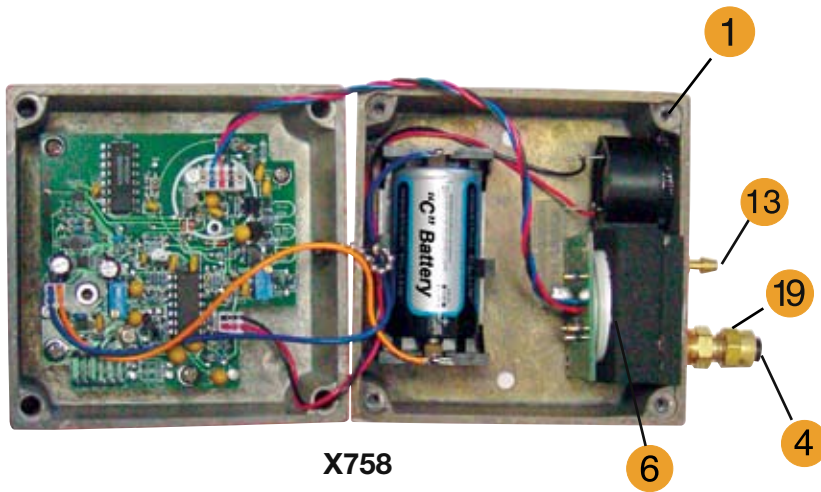
Part #	Description
13490	End screw cover
13912	Compression spring
14035	"O" Ring
14043	Valve seat
14068	Head piece
14522	"O" Ring 25 x 15
14530	Compression spring
16816	Bell housing
17251	Cylinder screw
17541	Counter nut M10 x 1
17590	Spindle
18077	Adjusting knob
18358	Nut, Adjusting knob
90951*	Included with repair kit #90993

Replacement parts:

**X144, X747, X757, X758, X767, X767-PLUS CO Monitors  
(Manufactured by KWJ Co. for Dan-Am Co.)**



**X757 Discontinued and Replaced with X758**



\*PURCHASE BATTERIES LOCALLY



Must be sent in for service & battery replacement



**Calibration Kit**

**Replacement parts:**

**X144, X747, X757, X758, X767, X767-PLUS CO Monitors  
(Manufactured by KWJ Co. for Dan-Am Co.)**

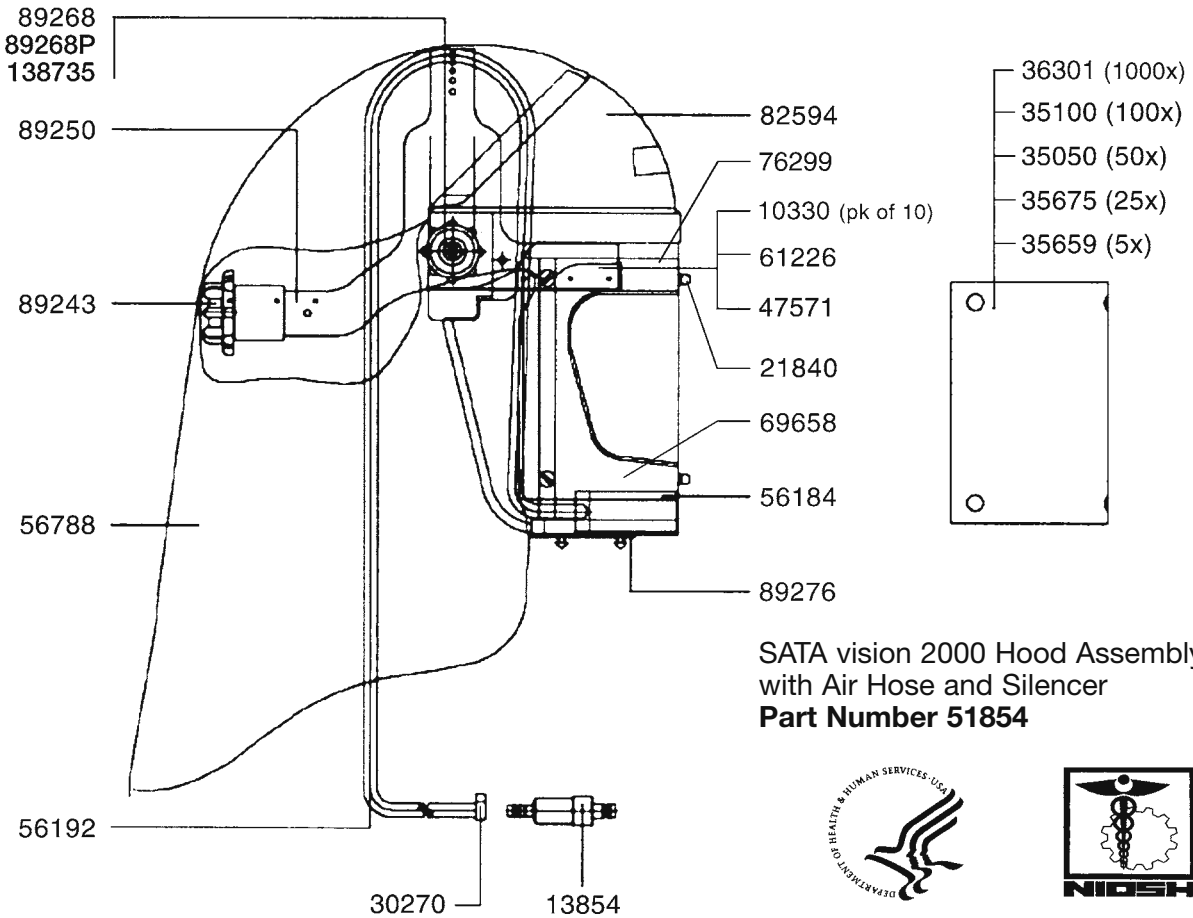
Part #	Description	Key #	X144	X747	X757	X758	X767
13623	Male coupling, 1/4"	9			X		
13656	Female nipple, 1/4"	8			X		
1816-MC	Male coupling, 1/2" Milton				X		
1817-MN	Male nipple, 1/2" Milton				X		
84798	Plug, brass hollow hex 1/2"				X		
X06-1105	Air Tubing (per foot)	4		X			X
X07-6122	"O" Ring, sensor				X		
X10-0279	Case screw, X758	1				X	
X14-A259	Screwdriver guide bushing				X		
X16-0285K	Bushing, 1/2" x 1/8", brass			X			
X17-0001	Air inlet fitting, 1/8" MPT x 1/4" tube	5		X			X
X17-0005	Elbow fitting, 1/8" MPT x 1/4" tube			X			X
X17-0015	Elbow fitting, 1/8" MPT x 1/4" tube			X			X
X17-0282K	Calibration gas inlet	13				X	X
X17-0285	Flow restrictor, porous metal	7			X		X
X17-6250K	Inlet fitting, ell type, w/porous plug					X	
X17-6251K	Inlet fitting, straight w/porous plug	19				X	
X20-0110K	Case, calibration kit	14		X			X
X31-0003	Flow meter, replacement	3		X			
X35-6015K	Flow block	12					X
X43-0940	Switch, battery on/off			X			X
X45-2401K	Plug, repeater buzzer			X			X
X45-8012K	Battery housing, w/holder			X			X
X45-8013K	Battery holder			X			X
X47-1012K	Power cord (X767-PLUS only)	18					X
X47-4012K	Sensor wiring harness, X747			X			
X47-4120K	Sensor cable w/circuit board						X
X47-4156	Cord, 50' Buzzer extension			X			X
X52-1020	Alarm buzzer, also w/2' cable (for portable unit)	2		X			
X52-1051K	Alarm buzzer w/18' cable (for remote unit)			X			X
X52-A279	Alarm Buzzer w/cable and plug	10					X
X57-A279	Circuit board, main	11					X
X65-2400K	Cell, CO detector	6		X	X	X	X
X81-0062K	Carbon Monoxide test gas cylinder, 10ppm				X	X	
X81-0065K	Carbon Monoxide test gas cylinder, 100ppm	17		X			X
X81-0078K	Nitrogen test gas cylinder 100%	15		X			X
X81-1001K	Regulator Valve	16		X	X	X	X
X81-1051K	Calibration tube, w/monitor connection			X			
X81-1052K	Calibration tube, w/flow meter connection				X	X	X
X81-1230K	Calibration kit, X747 Carbon Monoxide monitor			X			
X81-1231K	Calibration kit, X767 Carbon Monoxide monitor						X
X81-1235K	Calibration kit, X757 & X758 CO monitor				X	X	
X82-0005K	Calibration screwdriver, jewelers				X	X	
X82-0091	Calibration screwdriver, dbl. ended			X			X
XA176	Alarm buzzer, remote			X			X
XA176A	Alarm buzzer, extra loud remote			X			X
XA176B	Alarm buzzer, air horn, complete w/regulator			X			X

**Must be sent in for service and battery replacement**

Replacement parts:



## SATA vision 2000 Hood Assembly NIOSH Approval TC-19C-211



**Part # Description**

10330	Sweat band, imitation leather, pk of 10
13854	Air silencer
21840	Visor pins, pk of 6
30270	Hose clamp
35050	Visor sheet, pk of 50
35100	Visor sheet, pk of 100
35659	Visor sheet, pk of 5
35675	Visor sheet, pk of 25
36301	Visor sheet, pk of 1000
47571	Sweat band, imitation leather
51854	vision 2000 hood, complete
56184	Foam sleeve, only
56192	Air hose with foam sleeve
56788	Hood cloth, anti-static
61226	Sweat band, natural leather
69658	White lining, pk of 20
76299	Headband foam strip, w/adhesive
82594	Head piece with velcro
89243	Adjusting assembly, headband
89250	Headband, complete
89268	Nut assembly, headband
89268P	Nut, headband
89276	Visor frame, complete
138735	Pivot, Headband Adjusting, pk of 10

**Parts for discontinued Full Mask Hood, No. 66761  
NIOSH Approval TC-19C-211 (1987 & 1996)**

**Part # Description**

13896	Replacement sheets, pk of 5 Superseded by 35659
13946	Visor, complete with linings
22050	Replacement sheets, pk of 50 Superseded by 35050
22100	Replacement sheets, pk of 100 Superseded by 35100
22905	Replacement sheets, pk of 25 Superseded by 35675
27821	Nut, headband
50922	Visor, without lining
54197	Hygienic lining, pk of 20
54205	Visor lining, pk of 2
57869	Head piece with closure
58115	Clip, air hose rep. Sheet
61226	Sweat band, natural leather
64931	Visor chin piece, plastic
66761	Hood, complete assembly (NLA)
66795	Foam sleeve only
89250	Headband, complete

NOT ILLUSTRATED

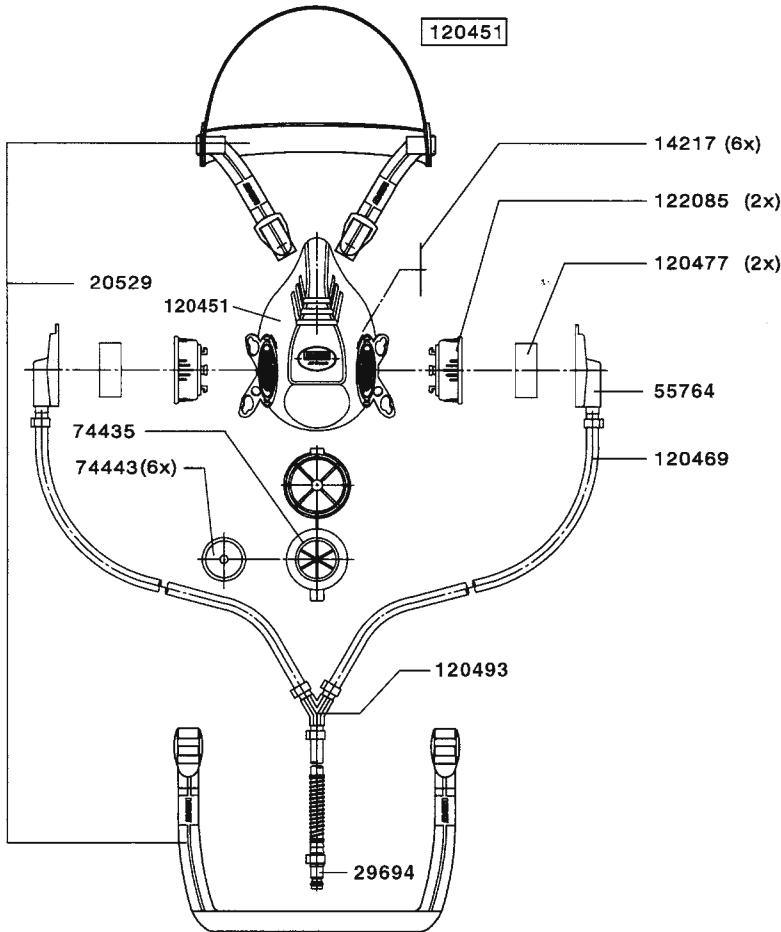
75358 SATA mask cleaner, pk of 10

Replacement parts:

# SATA Half Mask Assembly NIOSH Approval TC-19C-211



## Airfresh - Dual Hose Version

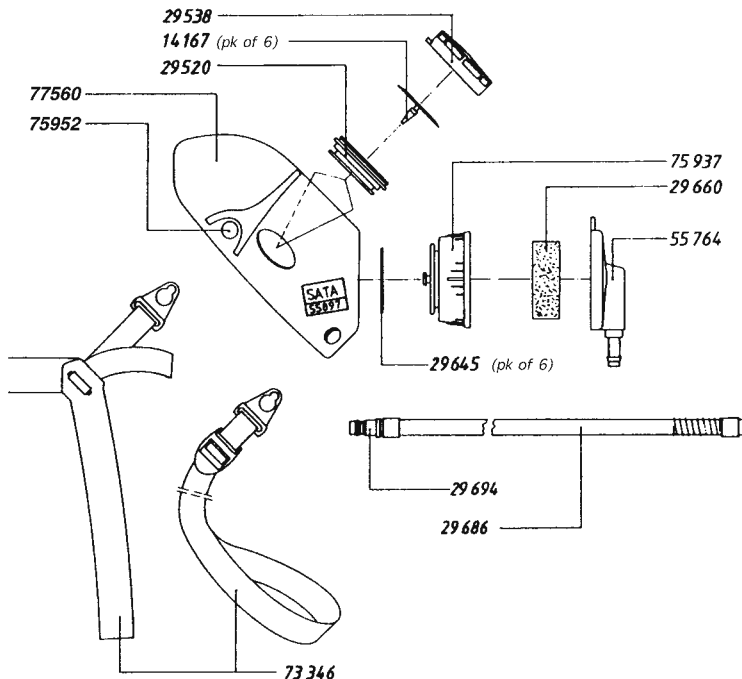


SATA airfresh Half Mask only  
(with air hose assembly)  
**Part Number 124149**

**Part # Description**

- 120451 Rubber molding
- 120469 Air hose assembly, complete
- 120477 Air distribution foam, (2)
- 120493 Y fitting, air hose
- 122085 Filter carrier, (2)
- 124149 airfresh half mask, complete assembly
- 14217 Inhalation valve, pkg. of 6
- 20529 Head straps
- 29694 Nipple, air hose
- 55764 Cap, air connection
- 74435 Exhalation valve holder
- 74443 Exhalation valve, pkg. of 6
- 75358 SATA mask cleaner, pkg. of 10

## Single Hose Orange Version



75358



**Part # Description**

- 14167 Exhalation valve, pkg. of 6
- 29520 Valve holder
- 29538 Valve cap
- 29645 Inhalation valve, pkg. of 6
- 29660 Air distribution foam
- 29686 Air hose, complete
- 29694 Nipple, air hose
- 55764 Cap, air connection
- 73346 Head straps
- 75358 SATA mask cleaner, pkg. of 10
- 75937 Filter holder
- 75952 Strap connecting pin
- 77560 Rubber molding



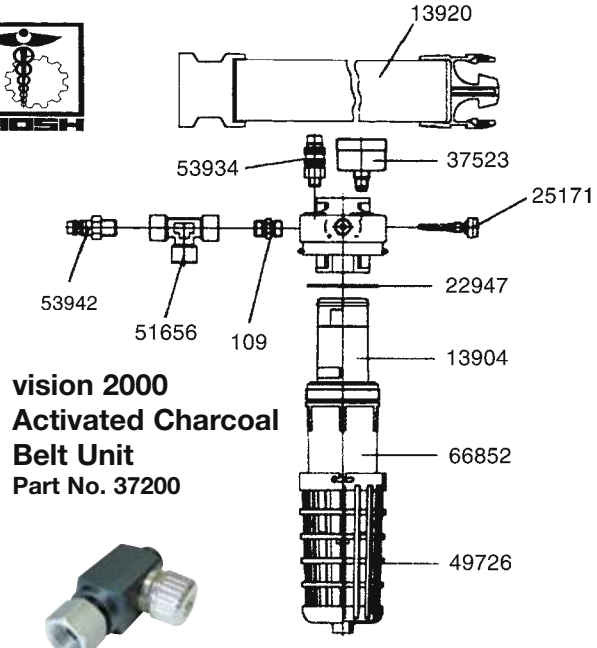
**Replacement parts:**

**SATA vision 2000 and Half Mask Belt Units  
SATA Top Air Humidifier**

**NIOSH Approval TC-19C-210 and TC-19C-211**



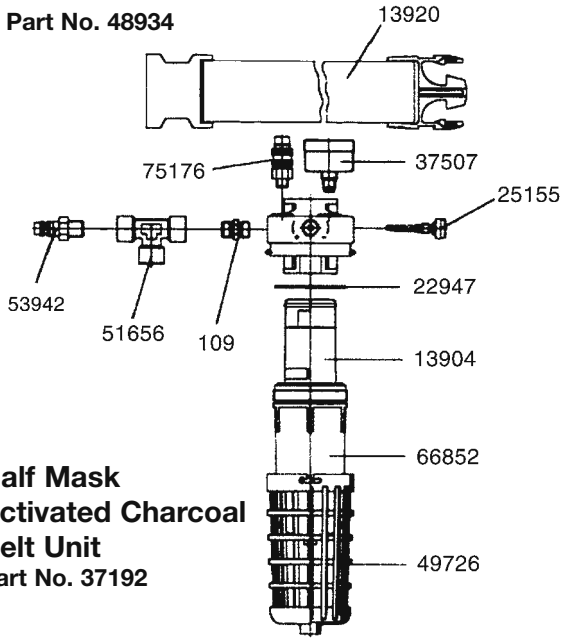
Part #	Description
109	Air inlet fitting, 1/4" BSP
1503	Air control screw
13656	Female threaded nipple
13904	Charcoal filter cartridge
13920	Waist belt
15412	Belt unit support straps
22947	"O" ring, housing
25155	Regulating valve, half mask
25171	Regulating valve, vision 2000
37192	Belt unit, complete half mask
37200	Belt unit, complete vision 2000
37507	Gauge, half mask
37523	Gauge, vision 2000
48934	Air micrometer w/o gauge
49726	Protective filter cover
51656	T fitting, (supplied separately)
53934	Full mask QC
53942	Nipple, T fitting
54221	Control valve
61002	Belt valve complete, vision 2000
61457	Belt valve, complete half mask
65557	Knob, control valve
66852	Filter cover
75176	Half mask QC
55640	52" Paint whip hose



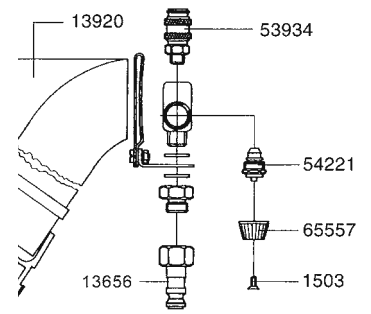
**vision 2000  
Activated Charcoal  
Belt Unit  
Part No. 37200**



**Part No. 48934**



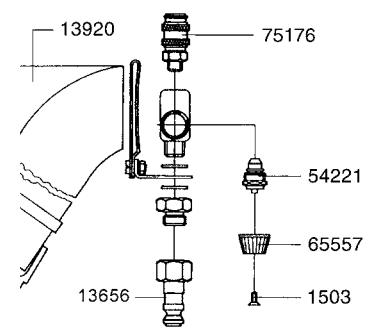
**Half Mask  
Activated Charcoal  
Belt Unit  
Part No. 37192**



**vision 2000  
Industrial Belt Valve  
Part No. 61002**



**Belt Unit  
Support  
Straps  
Part No. 15412**



**Half Mask  
Industrial Belt Valve  
Part No. 61457**



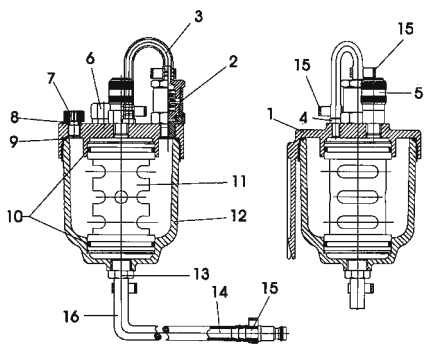
**3/8" Breathing Air Hose**

3366-25	Gates non gassing hose, 25'
3366-35	Gates non gassing hose, 35'
6633-50	Gates non gassing hose, 50'
6633-60	Gates non gassing hose, 60'
6633-75	Gates non gassing hose, 75'
6633-100	Gates non gassing hose, 100'

**Replacement parts for discontinued belt units #66829 and #66894**

783	Male nipple, Milton
784	Female nipple, Milton
53959	Detent, regulator valve

**SATA Top Air Humidifier**



#	Part#	Description
1	86777	Head
2	72611	Valve, complete
3	97311	Hose, PVC (cut to length)
4	24612	Nipple
5	24505	Safety quick coupling
6	24950	Safety valve, complete
7	63214	Screw, filling cap
8	70789	"O" ring, filling cap
9	24620	Head gasket
10	24919	"O" ring, module
11	81158	Module, complete
12	86785	Receptacle
13	46169	Threaded nipple
14	82917	Air hose----
15	53975	Hose clamp, 10.5
16	27953	Hose w/nipple

## Replacement parts:

# Industrial Supplied Air Respirators

### SATA Supplied Air Industrial Hood

**Attention!** Many parts for Industrial hoods not listed here are common to the NIOSH approved Full Mask version. See replacement parts listed elsewhere in this catalog.

51003	Open visor without lining
52670	Full hood with closed visor
54213	Replacement sheet for open visor, pkg. of 25
54825	Full hood with open visor
56762	Grey hood cloth with front closure
37200	Activated charcoal belt unit
61002	Industrial belt valve



**Supplied Air Industrial Hood  
#52670**

### SATA Supplied Air Sandblasting Hood

7252	Visor replacement sheets, pkg. of 10
7260	Inner plastic panel
7351	Sandblasting hood, only
7450	Sandblasting hood w/belt unit
13854	Air silencer
56192	Air hose with foam sleeve
37200	Activated charcoal belt unit
61002	Industrial belt valve



**Supplied Air Sandblasting Hood  
#7351**

### SATA HMO Sandblasting Hood (not air supplied)

17699	HMO Sandblasting Hood
64394	Inner plastic panel, pkg. of 5
64402	Outer glass, pkg. of 5



**HMO Sandblasting Hood  
#17699**

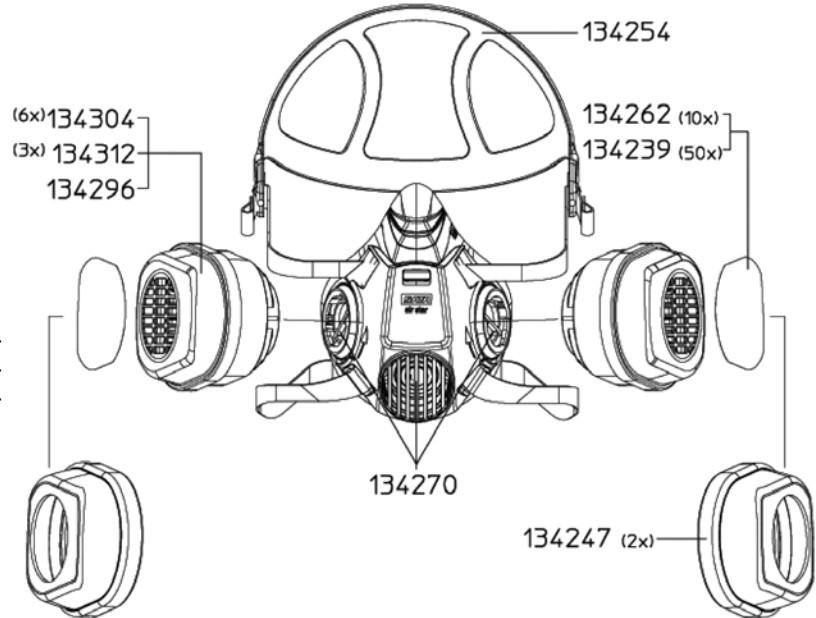
**Replacement parts:**



## SATA air star F Half Mask (cartridge type)

**Part# Description**

- 134239 Pre-filter, pk of 50
- 134247 Pre-filter holder, pk of 2 with 10 pre-filters
- 134254 Head straps, air star F
- 134262 Pre-filter, pk of 10
- 134270 Exhalation valve, pk of 5 with 10 inhalation valves
- 134296 Special vapor filter A2:P3 D, 1 pair
- 134304 Special vapor filter A2:P3 D, 6 pair
- 134312 Special vapor filter A2:P3 D, 3 pair



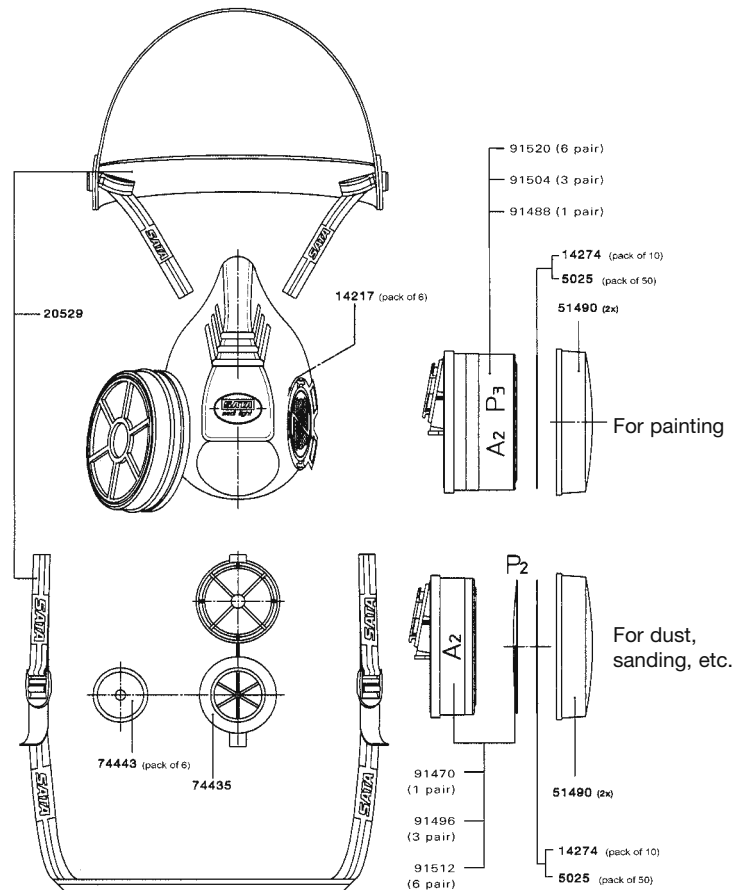
**Replacement parts:**



## SATA medi-light Half Mask (cartridge type)

**Part # Description**

- 5025 Pre-filter, pk. of 50
- 14217 Inhalation valve, pk. of 6
- 14274 Pre-filter, pk. of 10
- 20529 Head straps, Medi Light
- 51490 Pre-filter holders, pk. of 2 with 10 pre-filters
- 74435 Valve holder with exhalation valve
- 74443 Exhalation valve, pk. of 6
- 91470 Standard vapor filter A2:P2, 1 pair
- 91488 Special vapor filter A2:P3, 1 pair
- 91496 Standard vapor filter A2:P2, 3 pair
- 91504 Special vapor filter A2:P3, 3 pair
- 91512 Standard vapor filter A2:P2, 6 pair
- 91520 Special vapor filter A2:P3, 6 pair

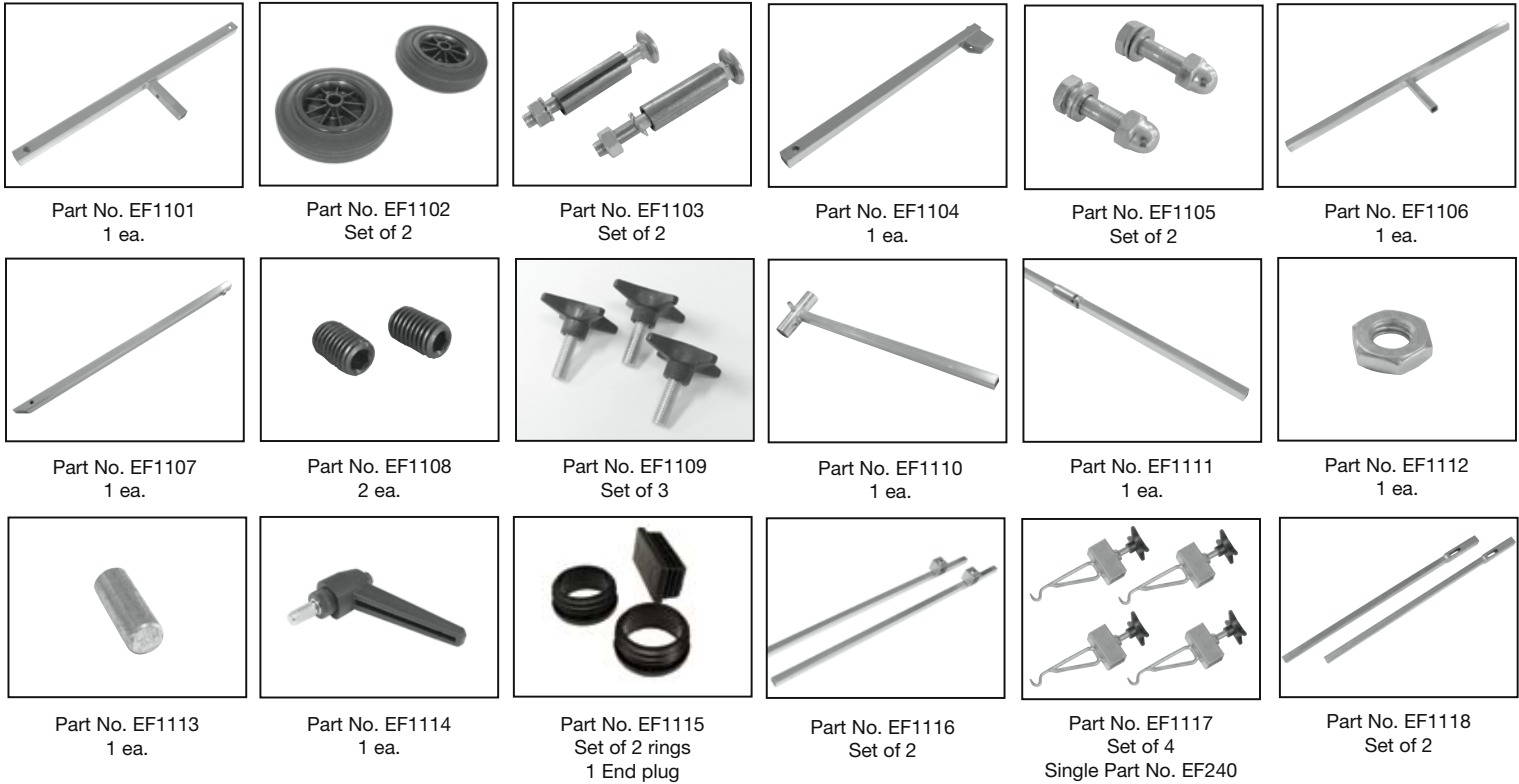


**Parts for discontinued SATA Super-Medi/92 Cartridge type respirator**

- 14209 Inhalation valve, pk. of 6
- 14241 Filter carrier with ring nut
- 14266 Special vapor filter A2:P3, pk of 2
- 73346 Head straps, Super-Medi/92

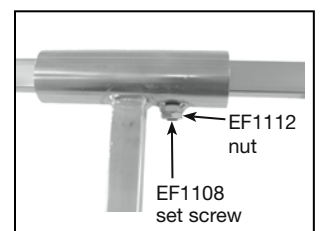
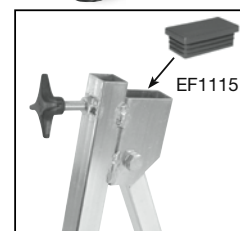
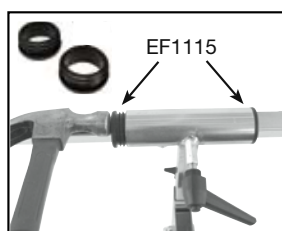
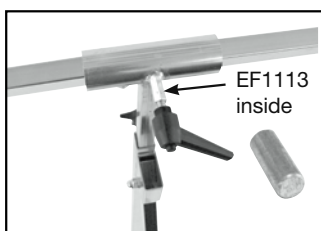
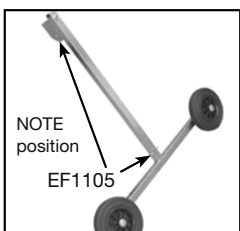
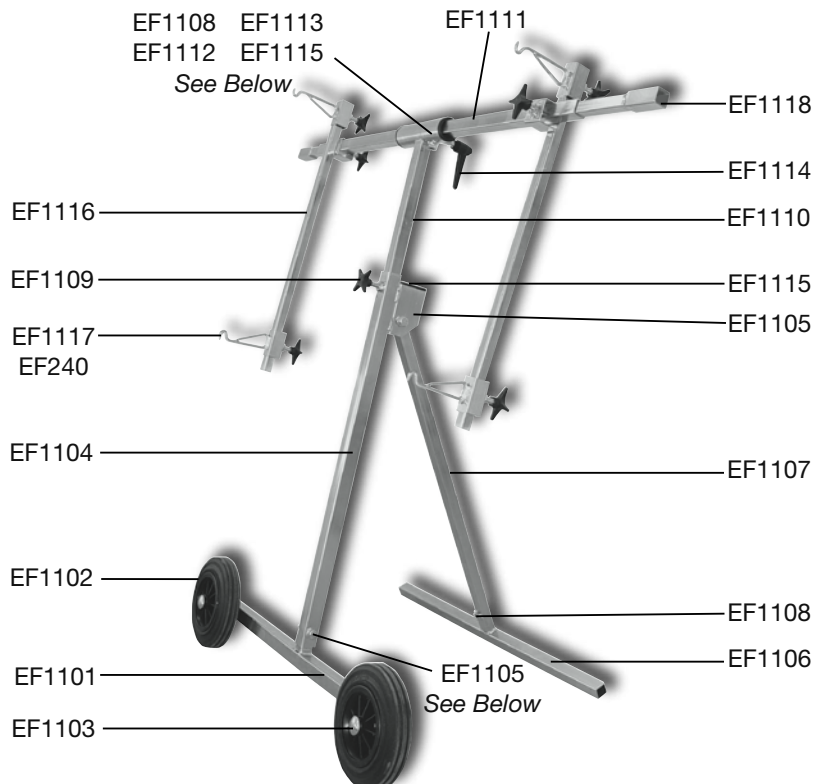
# Replacement parts:

## EZ-Flex Panel/Paint Stand



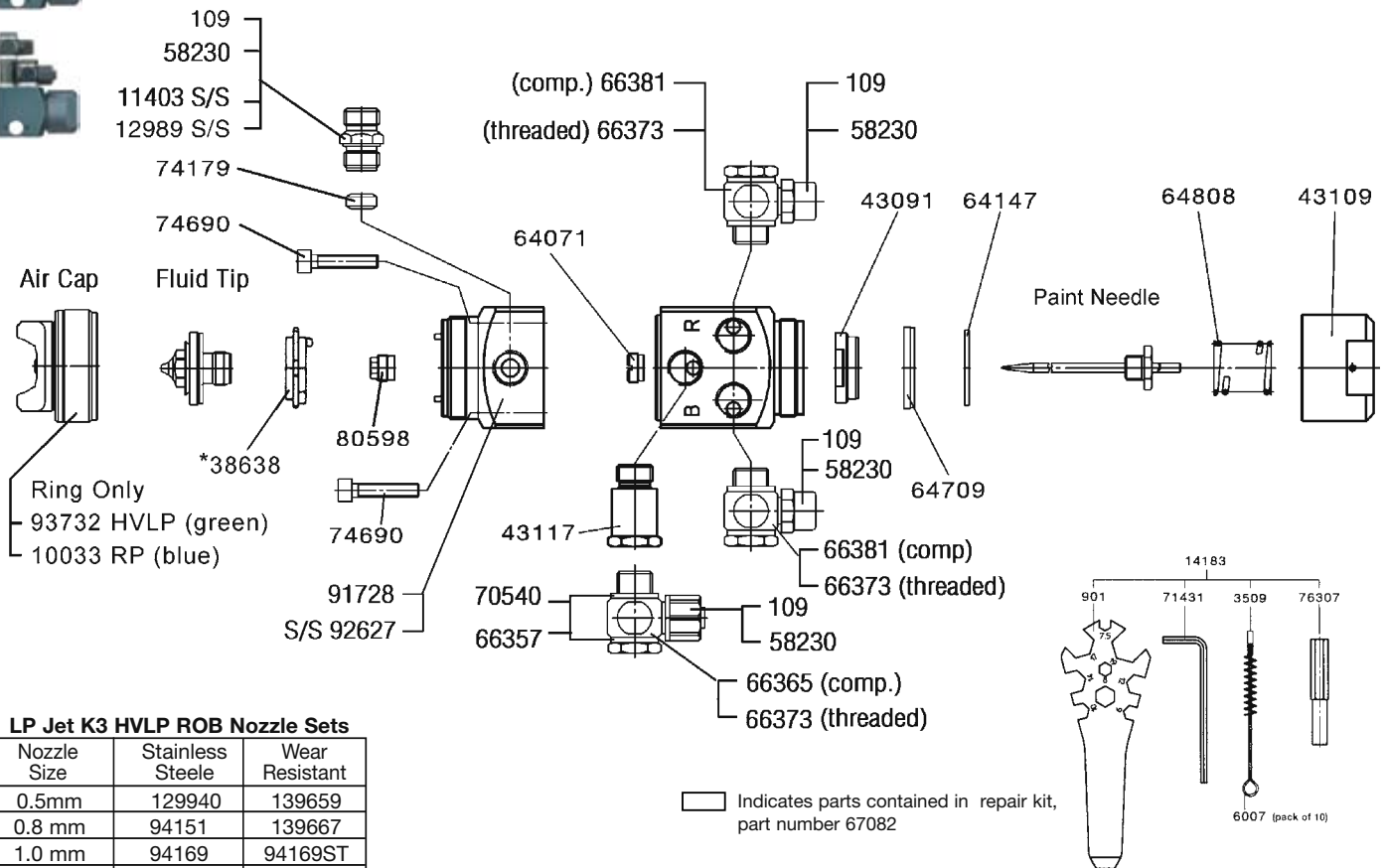
### Part # Description

- EF240 Hook (single part)
- EF1101 Wheel Leg
- EF1102 Wheels (2)
- EF1103 Wheel Bolts (2)
- EF1104 Leg Brace
- EF1105 Frame Bolts (2)
- EF1106 Leg
- EF1107 Wheel Leg Brace
- EF1108 Set Screws (2)
- EF1109 Knob (3)
- EF1110 Height Bar
- EF1111 Cross Bar
- EF1112 Counter Nut
- EF1113 Brass Plug
- EF1114 Locking Knob
- EF1115 Cross Bar (2), Leg (1)
- EF1116 Tool Holder (2)
- EF1117 Hooks (4)
- EF1118 Extensions (2)



## Replacement parts:

# SATA LP Jet K3 HVLP and K3 RP ROB Guns



### LP Jet K3 HVLP ROB Nozzle Sets

Nozzle Size	Stainless Steele	Wear Resistant
0.5mm	129940	139659
0.8 mm	94151	139667
1.0 mm	94169	94169ST
1.2 mm	126433	138016
1.6 mm	124206	140814
2.0 mm	124214	140822

### LP Jet K3 RP ROB Nozzle Sets

Nozzle Size	Stainless Steele	Wear Resistant
0.5 mm	129932	129932ST
0.8 mm	94136	137992
1.1 mm	94144	140889
1.3 mm	128322	138008
1.5 mm	135459	94160RST
1.7 mm	94170R	94170RST
2.0 mm	128777	128777ST

### Technical Data

Air consumption at, 60 psi (HVLP):	20 cfm
Air consumption at, 52 psi (Conventional):	15.5 cfm
Gun Inlet pressure (HVLP)	58 - 65 psi
Gun Inlet pressure (Conventional)	50.7 - 58 psi
Necessary spraying air supply line:	min. dia. 8mm (ROB min. dia. 6mm)
Maximum permissible air operating pressure (HVLP):	58 - 65 psi
Maximum permissible air operating pressure (Convent.):	145 psi
Maximum permissible material operating pressure:	75.5 psi
Maximum permissible material temperature:	122°F (50° C) [ROB: 176° (80°C)]
Material connection:	G 1/4 outside thread
Spray air connection (plug in hose):	size 8 (10 x 1)
Control air connection (plug in hose):	size 6 (8 x 1)
Mounting bolt diameter:	14 mm (ROB 13MM)
Weight:	900 g cpl. w/connections (ROB 615 g cpl.) 680 g wo/connections (ROB 540 g w/o)
Length:	145 mm (ROB 132mm)
Width / Height (without bolt):	75 / 75 mm (ROB 45 / 89 mm)

### Part # Description

109	Air connection G 1/4
901	Spanner wrench
3509	Cleaning brush
6007	Brush, pk of 10
10033	Air cap ring w/seal, K3 RP
11403	S/S nipple, 1/4 x 3/8
12989	S/S nipple, 1/4 x 1/4
14183	Tool kit
38638	Air distribution ring
* 38638-3	Air dist. ring, pk of 3
* 38638-5	Air dist. ring, pk of 5
* 38638-20	Air dist. ring, pk of 20
43091	Control piston
43109	Closing cap
43117	Extension
58230	Nipple, std. 1/4 x 3/8

64071	Seal retainer
64147	Washer
64709	Sleeve
64808	Spring, compression
66357	Gasket (single)
66365	Swivel joint, compression, 8mm tubing
66373	Swivel joint, threaded
66381	Swivel joint, compression, 10mm tubing
68999	Repair kit
68999-P	Packing set
68999-S	Spring set
70540	Gasket, pk of 10
71431	Allen wrench, 4mm
74179	Inner material seal
74690	Allen screw, M5x25

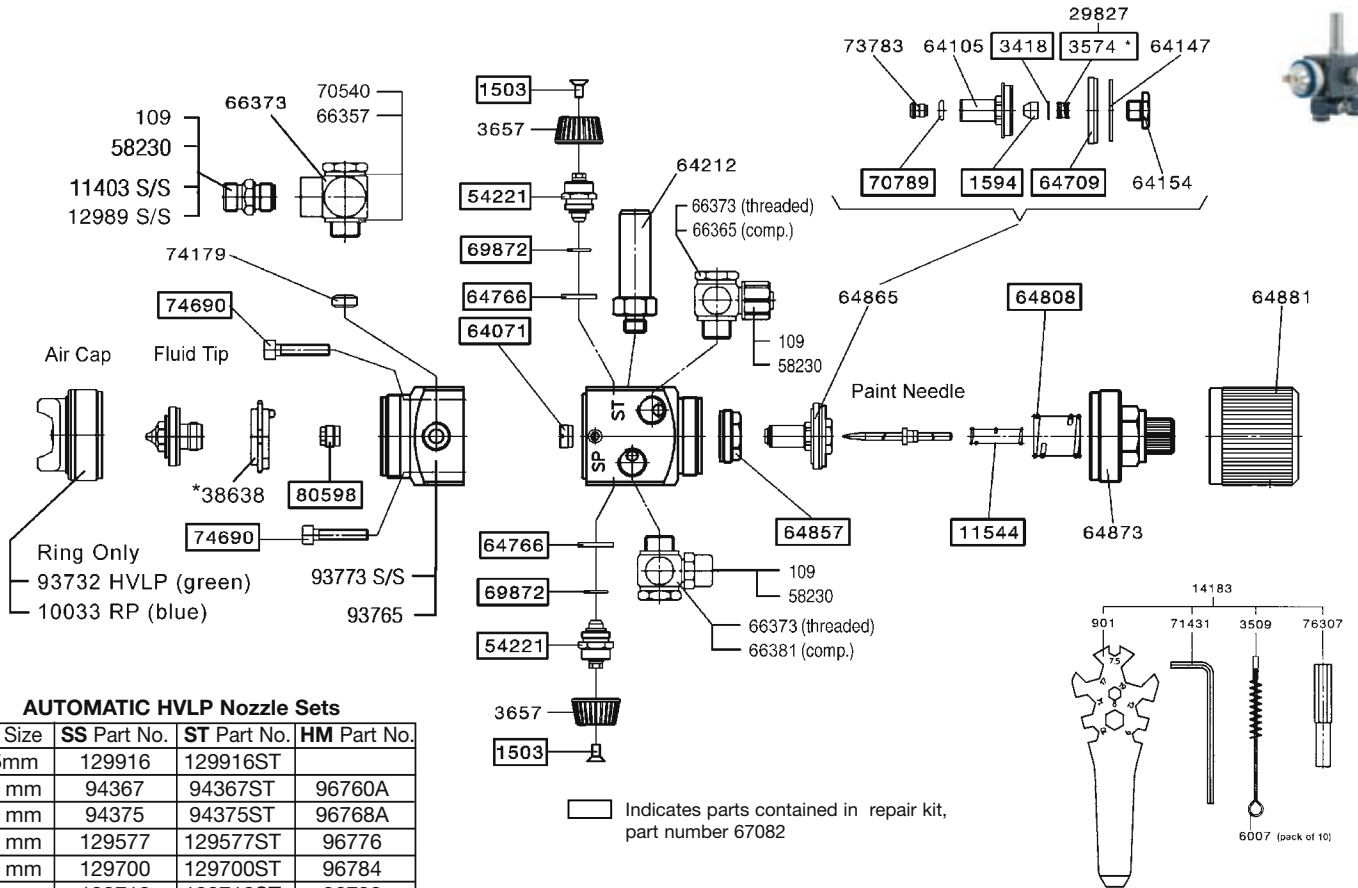
76307	Socket wrench, 7
80598	Seal retainer
91728	Nozzle head, K3 ROB HVLP & RP
92627	S/S nozzle head, K3 ROB HVLP & RP
93732	Air cap ring w/seal, K3 HVLP

### Parts for old version LP 90 Jet ROB HVLP And LP 90 Jet HVLP Automatic gun

41640	Nozzle head, ROB HVLP
68999	Repair Kit, LP 90 ROB
68999-P	Packing set, LP 90 ROB
68999-S	Spring set, LP 90 ROB

## Replacement parts:

# SATA LP Jet K3 HVLP and K3 RP Automatic Guns



### AUTOMATIC HVLP Nozzle Sets

Noz Size	SS Part No.	ST Part No.	HM Part No.
0.5mm	129916	129916ST	
0.8 mm	94367	94367ST	96760A
1.0 mm	94375	94375ST	96768A
1.2 mm	129577	129577ST	96776
1.6 mm	129700	129700ST	96784
2.0 mm	129718	129718ST	96792

SS = Stainless Steel ST = Special Treated

### ROB RP Nozzle Sets

Nozzle Size	SS Part No.	ST Part No.
0.5 mm	129924	129924ST
0.8 mm	94326	94326ST
1.1 mm	94334	94334ST
1.3 mm	94342	94342ST
1.5 mm	94359	94359ST
1.7 mm	94369A	94369AST
2.0 mm	131052	131052ST

SS = Stainless Steel ST = Special Treated

### Technical Data

Air consumption at, 60 psi (HVLP): . . . . . 20 cfm  
 Air consumption at, 52 psi (Conventional): . . . . . 15.5 cfm  
 Gun Inlet pressure (HVLP) . . . . . 58 - 65 psi  
 Gun Inlet pressure (Conventional) . . . . . 50.7 - 58 psi  
 Necessary spraying air supply line: . . . . . min. dia. 8mm (ROB min. dia. 6mm)  
 Maximum permissible air operating pressure (HVLP): . . . . . 58 - 65 psi  
 Maximum permissible air operating pressure (Convent.): . . . . . 145 psi  
 Maximum permissible material operating pressure: . . . . . 75.5 psi  
 Maximum permissible material temperature: . . . . . 122°F (50° C) [ROB: 176° (80°C)]  
 Material connection: . . . . . G 1/4 outside thread  
 Spray air connection (plug in hose): . . . . . size 8 (10 x 1)  
 Control air connection (plug in hose): . . . . . size 6 (8 x 1)  
 Mounting bolt diameter: . . . . . 14 mm (ROB 13MM)  
 Weight: . . . . . 900 g cpl. w/connections (ROB 615 g cpl.)  
 680 g w/connections (ROB 540 g w/o)  
 Length: . . . . . 145 mm (ROB 132mm)  
 Width / Height (without bolt): . . . . . 75 / 75 mm (ROB 45 / 89 mm)

Indicates parts contained in repair kit, part number 67082

### Part # Description

- 109 Air connection G 1/4
- 901 Spanner wrench
- 1503 Countersunk screw M4x 8
- 1594 Teflon seal
- 3418 Washer, 3.7
- 3509 Cleaning brush
- 3574 Spring, needle packing
- 3657 Control knob
- 6007 Brush, pk of 10
- 10033 Air cap ring w/seal, K3 RP
- 11403 S/S nipple, 1/4 x 3/8
- 11544 Spring, needle
- 12989 S/S nipple, 1/4 x 1/4
- 14183 Tool kit
- 29827 Spring, pk of 12
- 38638 Air distribution ring
- \* 38638-3 Air dist. ring, pk of 3
- \* 38638-5 Air dist. ring, pk of 5
- \* 38638-20 Air dist. ring, pk of 20
- 54221 Control spindle

- 58230 Nipple, std. 1/4x3/8
- 64071 Seal retainer
- 64105 Control piston
- 64147 Washer
- 64154 Hollow screw
- 64212 Mounting post
- 64709 Sleeve
- 64766 Spacer
- 64808 Spring, compression
- 64857 Seal retainer, complete
- 64865 Control piston, complete
- 64873 End cap, complete
- 64881 Control cap
- 66357 Gasket (single)
- 66365 Swivel joint, compression
- 66373 Swivel joint, threaded
- 66381 Swivel joint, compression
- 67082 Repair kit
- 67082-P Packing set
- 67082-S Spring set
- 69872 "O" ring, 11x1mm
- 70540 Gasket, pk of 10

- 70789 "O" ring, 5x2mm
- 71431 Allen wrench, 4mm
- 73783 Hex socket screw
- 74179 Inner material seal
- 74690 Allen screw, M5x25
- 76307 Socket wrench, 7
- 80598 Seal retainer
- 93732 Air cap ring w/seal, K3 HVLP
- 93765 Nozzle head, K3 Auto HVLP & RP
- 93773 S/S nozzle head, K3 Auto HVLP & RP

### Parts for old version LP 90 Jet ROB HVLP And LP 90 Jet HVLP Automatic gun

- 31914 S/S head, NR HVLP HM
- 64741 Head, NR HVLP

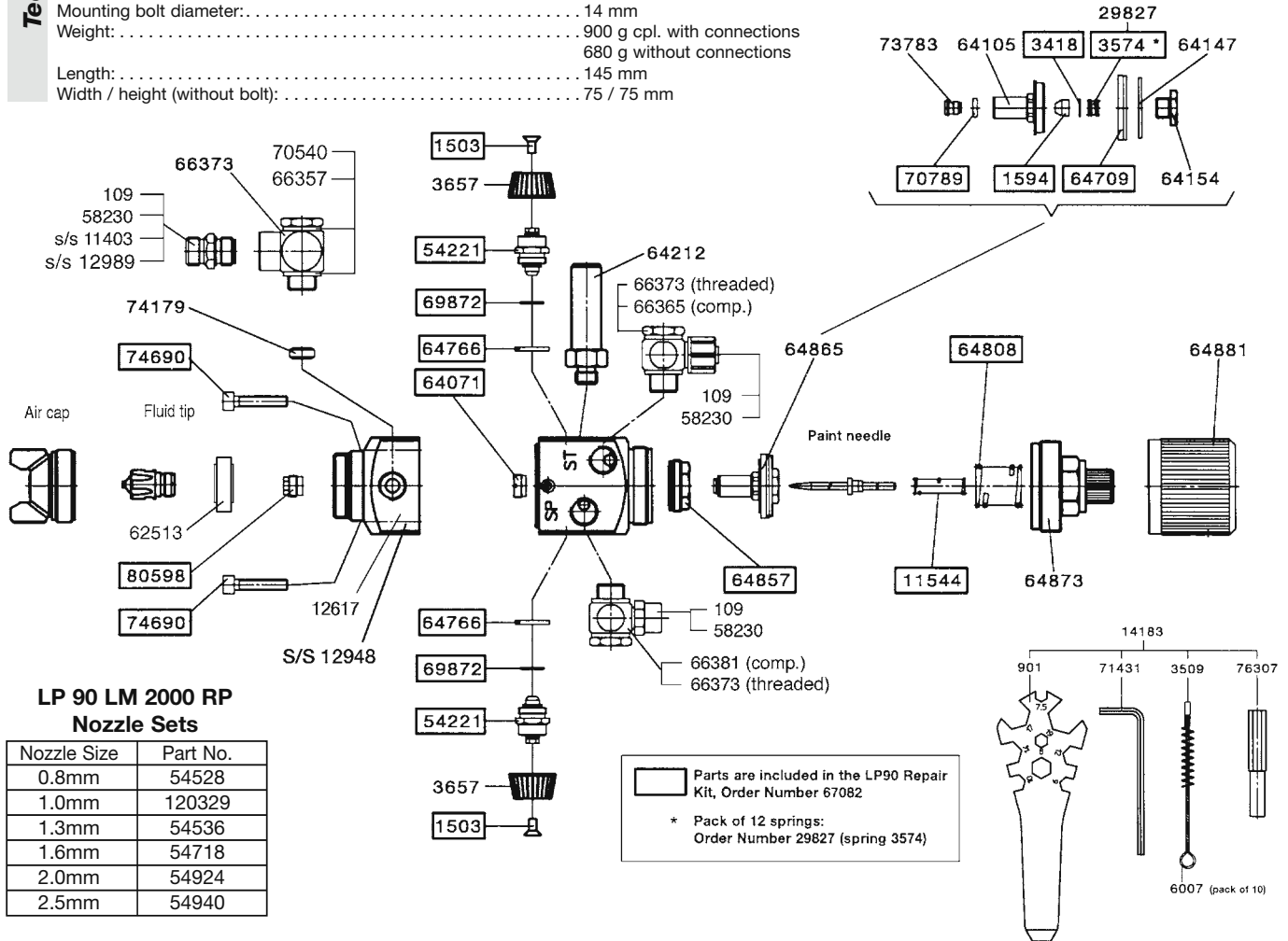


## Replacement parts:

# SATA LP 90/LM 2000 RP AUTOMATIC GUN (also for use with nozzle extensions)

### Technical Data

Air consumption at 45 psi: .....	7.2 - 7.9 cfm nozzle size 1.6mm
Spray air feeder pipe requirements: .....	minimum diameter 8 mm
Minimum control air pressure requirements: .....	43.5 psi
Maximum permissible air operating pressure: .....	145 psi
Maximum permissible material operating pressure: .....	72.5 psi
Maximum permissible material temperature: .....	122° F / 50° C
Material connection: .....	G 1/4 outside thread
Spray air connection (plug in hose): .....	size 8 (10 x 1)
Control air connection: .....	size 6 (8 x 1)
Material flow control (fixed): .....	needle stroke 1.0 mm/knob turn, resp. 0.04 mm/notch
Mounting bolt diameter: .....	14 mm
Weight: .....	900 g cpl. with connections 680 g without connections
Length: .....	145 mm
Width / height (without bolt): .....	75 / 75 mm



### LP 90 LM 2000 RP Nozzle Sets

Nozzle Size	Part No.
0.8mm	54528
1.0mm	120329
1.3mm	54536
1.6mm	54718
2.0mm	54924
2.5mm	54940

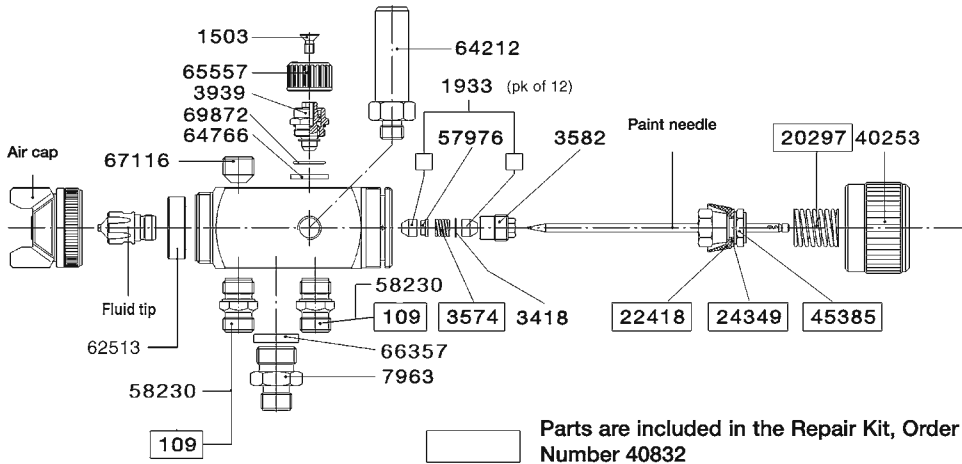
### Part # Description

109	Air connection G 1/4	54221	Control spindle	66365	Swivel joint, compression
901	Spanner wrench	58230	Nipple, std. 1/4x3/8	66373	Swivel joint, threaded
1503	Countersunk screw M4x 8	62513	Air distribution ring	66381	Swivel joint, compression
1594	Teflon seal	64071	Seal retainer	67082	Repair kit
3418	Washer, 3.7	64105	Control piston	67082-P	Packing set
3509	Cleaning brush	64147	Washer	67082-S	Spring set
3574	Spring, needle packing	64154	Hollow screw	69872	"O" ring, 11x1mm
3657	Control knob	64212	Mounting post	70540	Gasket, pk of 10
6007	Brush, pk of 10	64709	Sleeve	70789	"O" ring, 5x2mm
11403	S/S nipple, 1/4 x 3/8	64766	Spacer	71431	Allen wrench, 4mm
11544	Spring, needle	64808	Spring, compression	73783	Hex socket screw
12617	Nozzle head	64857	Seal retainer, complete	74179	Inner material seal
12948	S/S nozzle head	64865	Control piston, complete	74690	Allen screw, M5x25
12989	S/S nipple, 1/4 x 1/4	64873	End cap, complete	76307	Socket wrench, 7
14183	Tool kit	64881	Control cap	80598	Seal retainer
29827	Spring, pk of 12	66357	Gasket (single)		

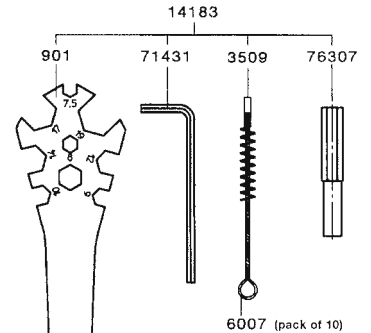
# Replacement parts:

## SATA LPS R 2000 and LPS RB 2000 RP

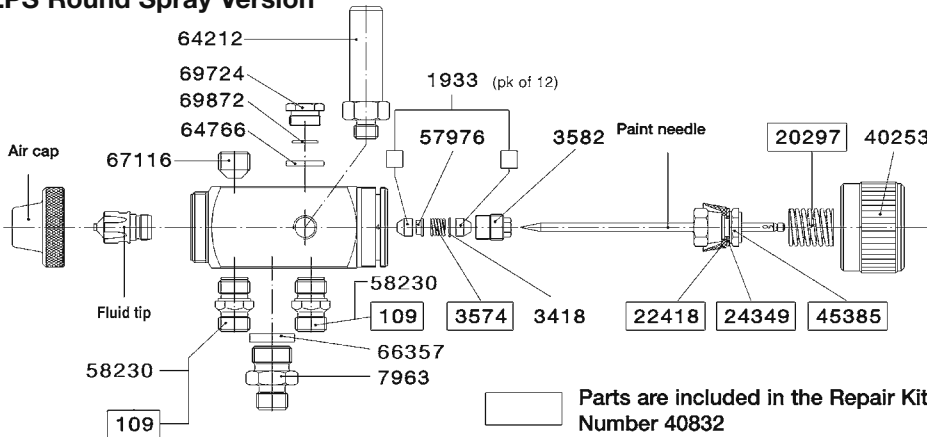
### LPS with Round/Flat Spray Control



Parts are included in the Repair Kit, Order Number 40832



### LPS Round Spray Version



Parts are included in the Repair Kit, Order Number 40832

### Technical Data

Air consumption (LPS RB 2000 RP) at 45 psi:	7.2 - 9 cfm
Air consumption (LPS R 2000 RP) at 30 psi:	4.3 - 5.4 cfm
Spray air feeder pipe requirements:	minimum diameter 8 mm
Minimum control air pressure requirements:	43.5 psi
Maximum permissible air operating pressure:	145 psi
Maximum permissible material operating pressure:	72.5 psi
Maximum permissible material temperature:	122° F / 50° C
Material connection:	G 1/4 outside thread
Spray air connection (plug in hose):	G 1/4 outside thread
Control air connection:	G 1/4 outside thread
Material flow control (fixed):	needle stroke 1.0 mm/knob turn, resp. 0.04 mm/notch
Mounting bolt diameter:	14 mm
Weight:	480 g cpl. with connections and fixing bolt 127 g without connections
Length:	145 mm
Width / height (without bolt):	35 / 35 mm

### LPS RB 2000 Nozzle Sets

Nozzle Size	Part No.
0.5mm	93013
0.8mm	93021
1.3mm	93039

### LPS R 2000 Nozzle Sets

Nozzle Size	Part No.
0.5mm	93047
0.8mm	93054

### Part # Description

109	Air connection G 1/4	14183	Tool kit	65557	Control knob
901	Spanner wrench	20297	Compression spring	66357	Gasket (single)
1503	Countersunk screw M4x 8	22418	Teflon sleeve	67116	Plug, Ms G 1/4
1933	Needle packing, pk of 12	24349	Washer, pressure	69724	End cap
3418	Washer, 3.7	40253	Regulation cap, LPS	69872	"O" ring, 11x1mm
3509	Cleaning brush	40832	Repair kit, LPS	70540	Gasket, pk of 10
3574	Spring, needle packing	45385	Hexagon nut M9x1	76307	Socket wrench, 7
3582	Needle packing holder	57976	Spacer, housing		
3939	Fan control	58230	Nipple, std. 1/4 x 3/8		
6007	Brush, pk of 10	62513	Air distribution ring		
7963	Nipple, 3/8" x 1/4"	64212	Mounting post		
		64766	Spacer		

### Parts for old version LPS spray gun

3657	Control knob
54221	Fan control



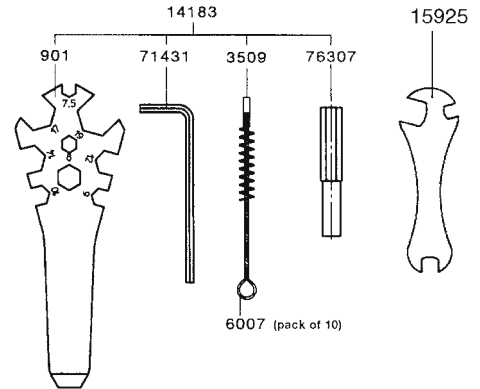
**Replacement parts:**

# SATA LP 90 Spray Mix Automatic Gun (Air Assisted Airless)

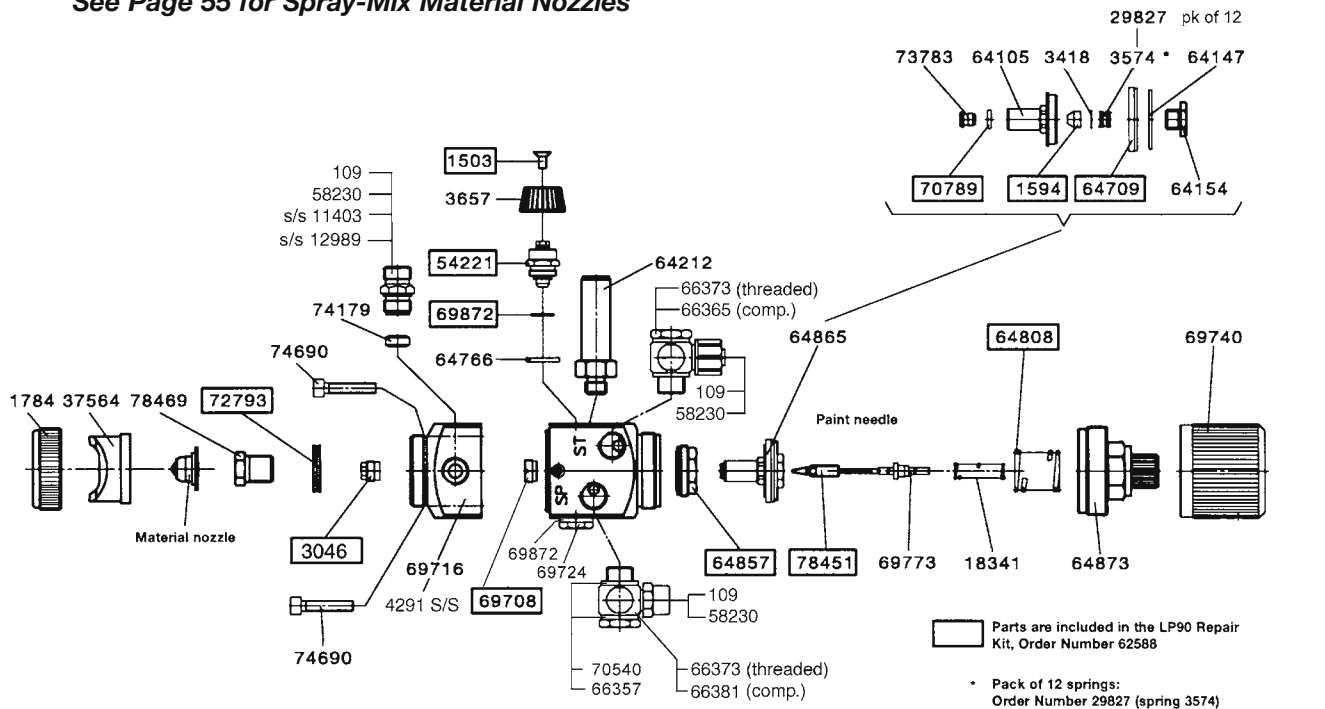


**Technical Data**

Air consumption at 43 psi:	3.2 cfm flat spray 7.8 cfm round spray
Spray air feeder pipe requirements:	minimum diameter 8 mm
Minimum control air pressure requirements:	43.5 psi
Maximum permissible air operating pressure:	145 psi
Maximum permissible material operating pressure:	3625 psi
Maximum permissible material temperature:	50 C
Material connection:	G 1/4 outside thread
Spray air connection (plug in hose):	size 8 (10 x 1)
Control air connection (plug in hose):	size 6 (8 x 1)
Material flow control:	needle stroke 3.0 mm
Mounting bolt diameter:	14 mm
Weight:	900 g cpl. with connections 680 g without connections
Length:	145 mm
Width / height (without bolt):	75 / 75 mm



See Page 55 for Spray-Mix Material Nozzles

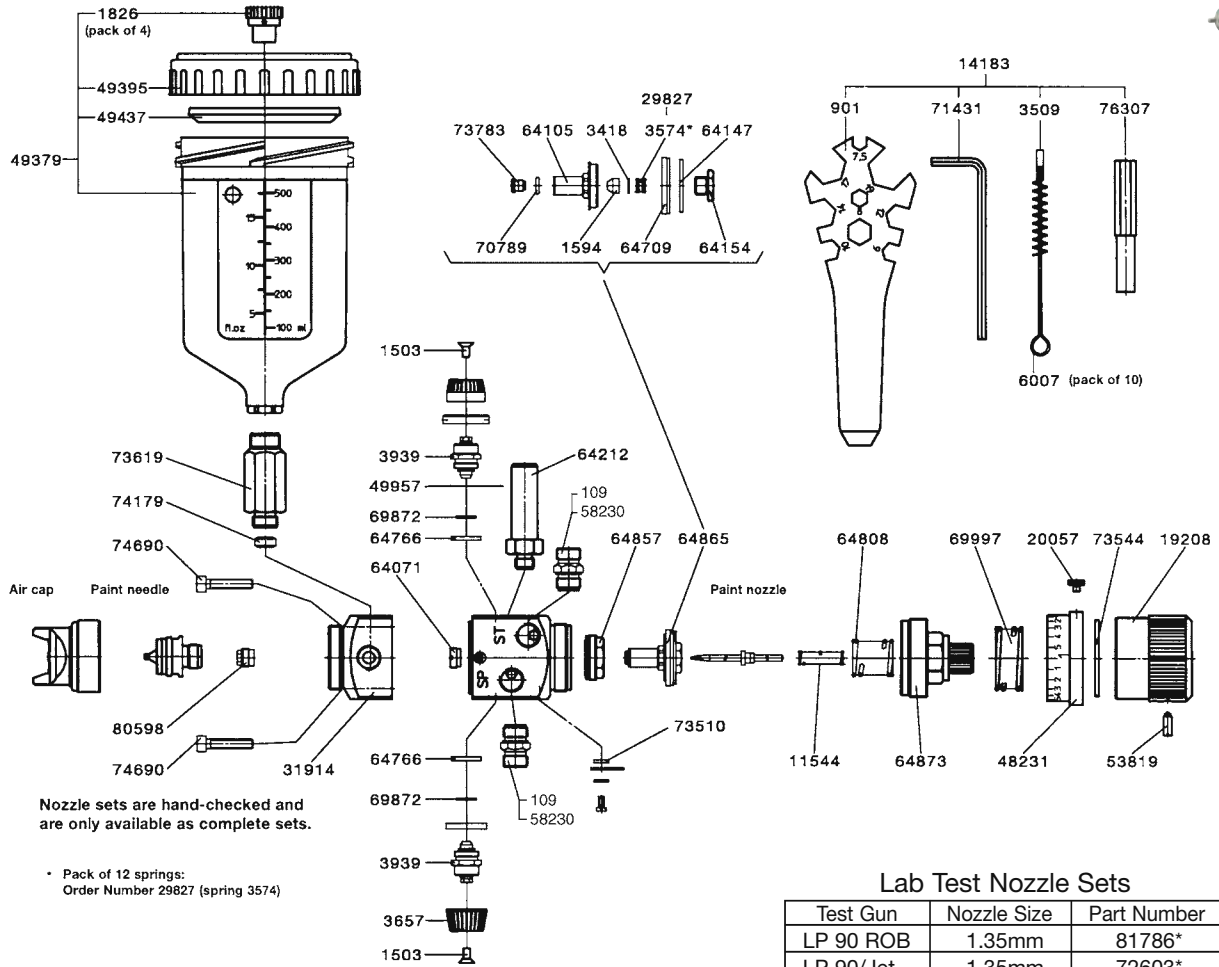


**Part # Description**

109	Air connection piece G 1/4	29827	Needle packing spring, pk of 12	66381	Swivel joint
901	Spanner	37564	Air cap (round/flat spray)	69708	Seal retainer
1503	Countersunk screw M4 x 8	54221	Spindle complete	69716	Nozzle head
1594	Teflon seal	58230	Air/mat. inlet nipple, 1/4 x 3/8	69724	Fan control plug
1784	Air cap ring	62588	Repair kit SATA LP90/Spray Mix	69740	Control cap, cpl.
3046	Seal retainer	64105	Control piston	69773	Paint needle, cpl.
3418	Washer 3.7	64147	Washer	69872	"O" ring 11 x 1 mm
3509	Cleaning brush	64154	Hollow screw	70540	Gasket, (pk of 10)
3574	Needle packing spring	64212	Mounting post	70789	"O" ring 5 x 2 for control piston
3657	Control knob	64709	Sleeve	71431	Allen wrench, size 4 mm
4291	Nozzle head, stainless steel	64766	Spacer	72793	Packing for pre-nozzle
6007	Pack of 10 cleaning brushes	64808	Compression spring	73783	Hex socket head screw
11403	Mat. inlet nipple, S/S, 1/4 x 3/8	64857	Seal retainer, complete	74179	Inner material seal
12989	Mat. inlet nipple, S/S, 1/4 x 1/4	64865	Control piston, cpl.	74690	Allen screw M5 x 25
14183	Tool kit for LP90	64873	End cap, cpl.	76307	Socket wrench, size 7
15925	Spanner	66357	Gasket, (single)	78451	Needle tip with carbide insert
18341	Needle spring	66365	Swivel joint	78469	Nozzle guide with plastic insert
		66373	Swivel connection		

# Replacement parts:

## SATA LP 90 LABORATORY TEST GUN



Connection: ..... Spray air G 1/4  
Control air G 1/4 minimum 43.5 psi  
Material: ..... Plastic gravity flow cup  
Weight: ..... 1050 g cpl. with connections  
Air consumption: ..... \*16.2 cfm at 72.5 psi  
Air consumption: ..... \*\*15.1 cfm at 43.5 psi

Lab Test Nozzle Sets

Test Gun	Nozzle Size	Part Number
LP 90 ROB	1.35mm	81786*
LP 90/Jet	1.35mm	72603*
LP Jet 2000	1.2mm	14340**
LP Jet 2000	1.3mm	16485**
LP Jet 2000	1.5mm	16519**
LP Jet 2000	WSB	141416
LP Jet 3000	1.1mm	140871
LP Jet 3000	1.3mm	140350
LP Jet 3000	1.4mm	141366
LP Jet 3000	1.6mm	141374

Technical Data

Part # Description

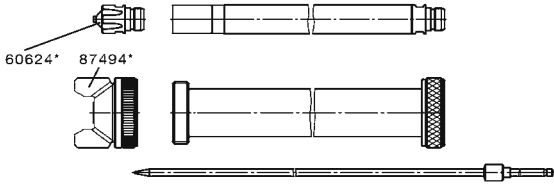
109	Air connection piece G 1/4	31914	Nozzle head LP90/Jet cpl.	64857	Seal retainer, complete
901	Spanner	48231	Scale ring for LP90 test gun	64865	Control piston
1503	Countersunk screw M4x8	49379	Plastic gravity cup 0.6 l with lid	64873	End cap
1594	Teflon seal	49395	Screw-on lid for 0.6 l plastic cup	69872	"O"-ring 11 x 1 mm
1826	Non-drip devices, pack of 4	49437	Cup lid drip ring, 0.6L, pk of 5	69997	Compression spring
3418	Washer 3.7	49957	Scale plate for LP90 test gun	70789	"O"-ring 5 x 2 mm
3509	Cleaning brush	53819	Flexible compression piece M5	71431	Allen wrench, size 4.0 mm
3574	Needle packing spring	58230	Air/mat. nipple, 1/4 x 3/8	73510	Spacer
3657	Control knob	64071	Seal retainer	73544	Intermediate washer
3939	Spindle cpl.	64105	Control piston	73619	Reduction nipple
6007	Pack of 10 cleaning brushes	64147	Washer	73783	Hex socket head screw
11544	Needle spring	64154	Hollow screw	74179	Inner material seal
14183	Tool kit for LP90	64212	Mounting post	74690	Allen screw M5 x 25
19208	Regulation cap	64709	Sleeve	76307	Socket wrench, size 7
20057	Control screw	64766	Spacer	80598	Seal retainer
29827	Needle packing spring, pk of 12	64808	Compression spring		

## Replacement parts:

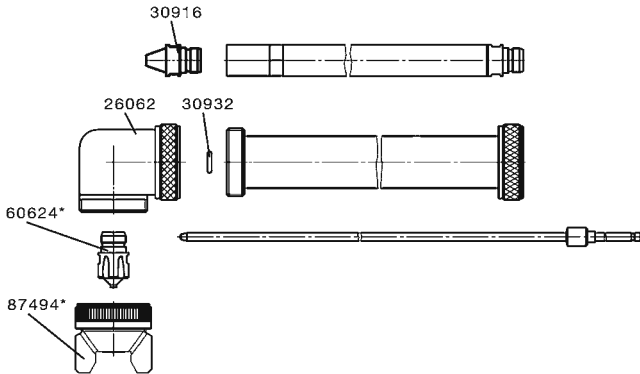
# SATA Nozzle Extension

(For use on SATA LM 2000 K RP and LP 90/LM 2000 RP Series)

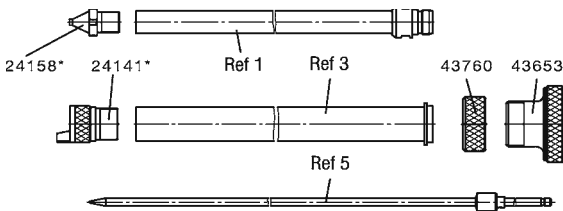
### Components for LM 2000 RP - Straight Nozzle Extension



### Components for LM 2000 RP - 90° Nozzle Extension



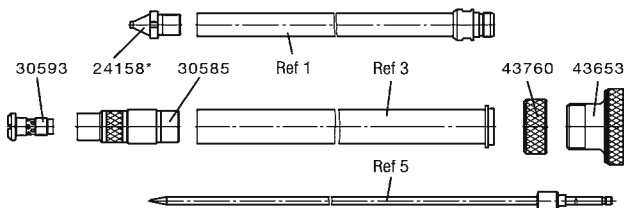
### Components for LM 2000 RP and LP 90 LM 2000 RP - 45° Nozzle Extension



45° Extension parts for LM 2000 K RP				
Ext. No.	Length	Ref. 1	Ref. 3	Ref. 5
43661	20cm	24174	24182	43695
44552	30cm	5066	4432	inquire
44610	40cm	4036	4531	inquire

45° Extension parts for LP 90/LM 2000 RP				
Ext. No.	Length	Ref. 1	Ref. 3	Ref. 5
48397	20cm	24174	24182	46490
48413	30cm	5066	4432	47100
48421	40cm	4036	4531	47688

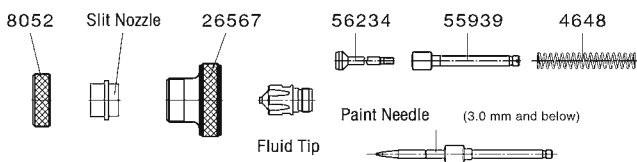
### Components for LM 2000 RP and LP 90 LM 2000 RP - 360° Nozzle Extension



360° Extension parts for LM 2000 K RP				
Ext. No.	Length	Ref. 1	Ref. 3	Ref. 5
43679	20cm	24174	24182	43695
45799	30cm	5066	4432	inquire
45906	40cm	4036	4531	inquire

360° Extension parts for LP 90/LM 2000 RP				
Ext. No.	Length	Ref. 1	Ref. 3	Ref. 5
48470	20cm	24174	24182	46490
48660	30cm	5066	4432	47100
48850	40cm	4036	4531	47688

### Components for LM 2000 RP - Slit Nozzle



LM 2000 K RP  
Slit Nozzle Sets

Nozzle Size	Part No.
2.5/55	28860
3.0/55	28936
4.0/79	29090

### Part # Description

4036	Paint tube, 40cm
4432	Air tube, 30cm
4531	Air tube, 40cm
4648	Spring, slit needle
5066	Paint tube, 30cm
8052	Lock ring, slit nozzle
24141	Air cap
24158	Inner nozzle
24174	Paint tube, 20cm
24182	Air tube, 20cm
26062	Angle head w/o nozzles
26567	Adapter, slit nozzle
28860	Slit nozzle, 2.5/55SK
28936	Slit nozzle, 3.0/55SK
29090	Slit nozzle, 4.0/79SK
30585	Inner dish mixing nozzle
30593	Dish nozzle
30916	Inner nozzle, angle head
30932	"O" ring, angle head
43653	Adapter, tube extension
43695	Paint needle, 20cm LM2000 K RP
43760	Retaining ring
46490	Paint needle, 20cm LP 90/LM2000 RP
47100	Paint needle, 30cm LP 90/LM2000 RP
47688	Paint needle, 40cm LP 90/LM2000 RP
55939	Needle rod, 4.0-5.0mm
56234	Needle, slit nozzle 4.0-5.0mm
60624	Fluid tip, 1.6mm LM
87494	Air cap, 1.6mm LM-KLC

### ADD-ON COST PER 10CM LENGTH OF NOZZLE EXTENSION

23259	Per 10cm LP90 nozzle extension
23267	Per 10cm LM2000K nozzle extension
24232	Needle extension, per 10cm

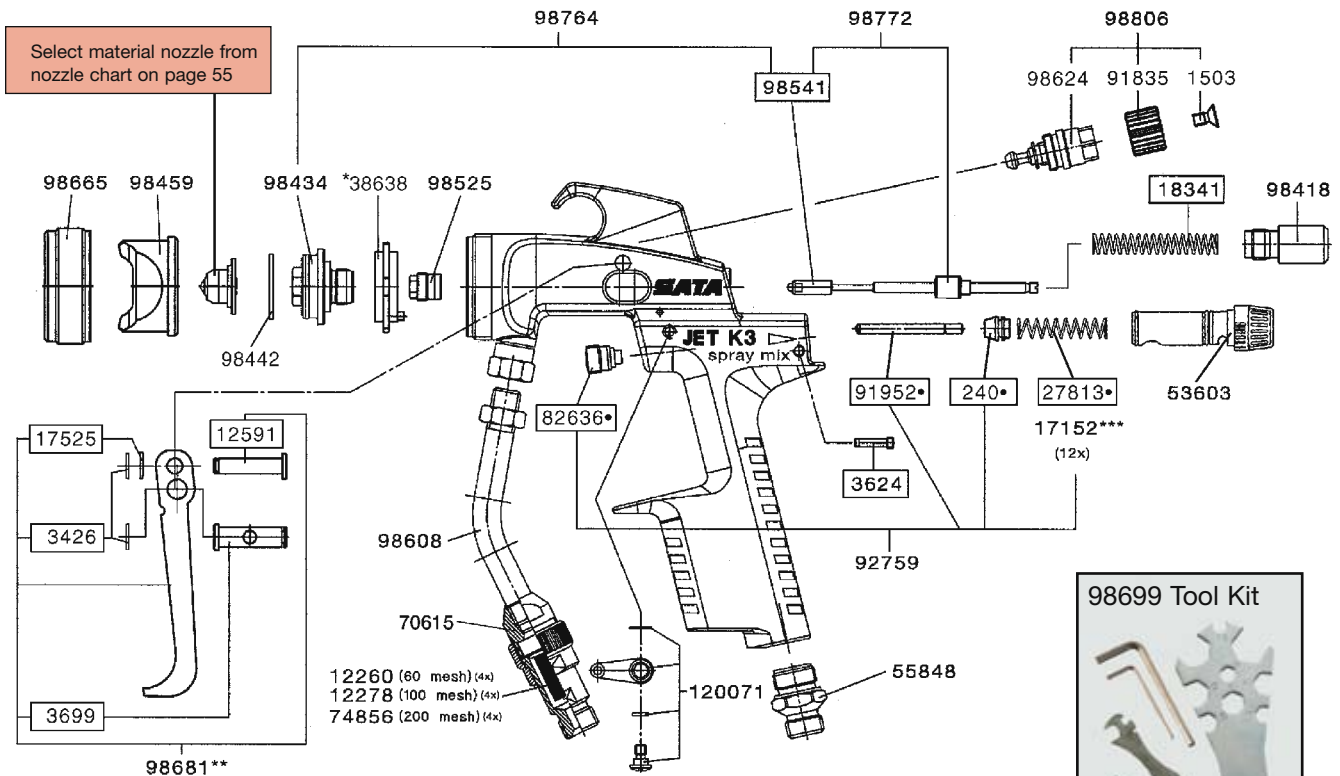
### PARTS FOR OLDER VERSION LM, LM-92 AND LP 90/LM SERIES EXTENSIONS

24166	Needle, 20cm 45° 1.6mm LM
24190	Lock nut, 45°-360° LM tube ext.
24208	Adapter, 45°-360° LM tube ext.
30890	Needle, 20cm 1.6mm LM straight ext.
46490	Paint needle, 20cm LP 90/LM
60186	Air cap, 1.6mm LM-92

Standard extension nozzle size is 1.6mm. Other sizes require substituting air cap, fluid tip and paint needle available on special order only. Special orders require non-revocable advance payment. Allow 6-8 weeks for delivery.

## Replacement parts:

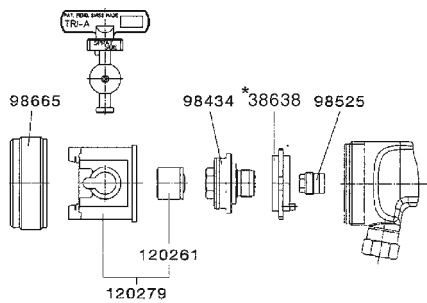
# SATAjet K3 spray mix (Air Assist Airless Gun)



**Do not remove the insert, seal, and fluid inlet. Special tools are required.**

**CALL SATA repair department for details.**

**Reversing nozzle**  
see nozzle chart on page 55\*



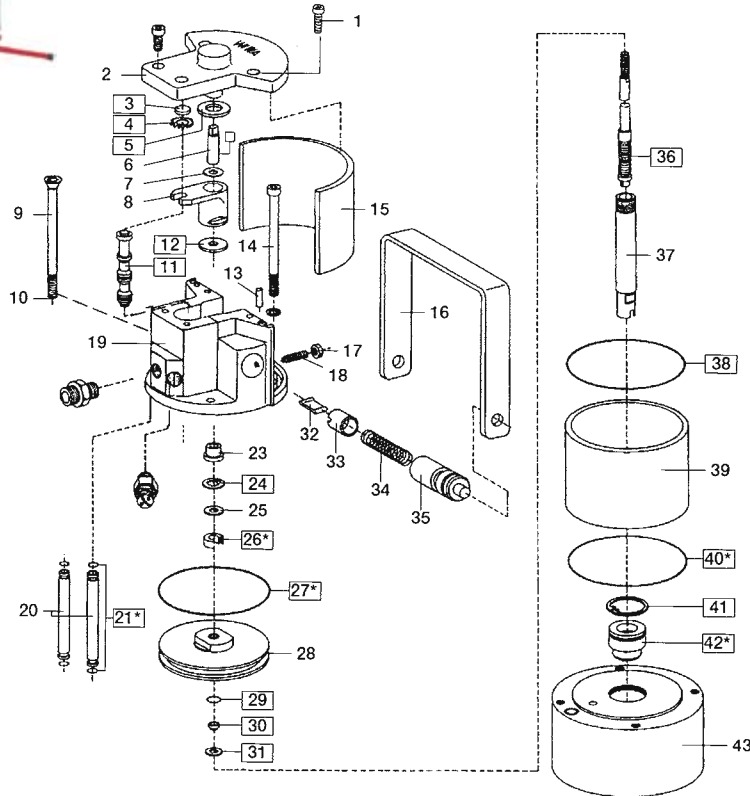
\*Using a reversing nozzle requires a "one time" purchase of the reversing switch.  
**Part Number 120279**

- Available with Repair kit 98707
- \*\* Available with Service Sets
- Available in Air Piston Service Set 92759

Part#	Description	Part#	Description
240	Air piston packing	91835	Knob
1503	Fan control screw	91959	Air piston, K3
3426	Circlip, pin	92759	Air piston service set
3624	Pin, micrometer	98418	Fluid control knob
3699	Pin, lower trigger	98434	Pre-nozzle
12260	Sieve, 60 msh, pkg of 4	98442	Seal ring, pre-nozzle
12278	Sieve, 100 msh, pkg of 4	98459	Air cap, round/flat
12591	Pin, upper trigger	98525	Packing holder
17152	Air piston spring, pkg of 12 #27813	98541	Needle tip
17525	Lock spring	98608	Paint pipe, 1/4 w/100 msh filter
18341	Needle spring	98624	Fan control
27813	Air piston spring	98665	Air cap ring
38638	Air ring, spray mix	98681	Trigger service set
38638-3	Air ring, pk of 3	98699	Tool kit, Sp. Mix
*38638-5	Air ring, pk of 5	98707	Repair kit, Sp. Mix
*38638-20	Air ring, pk of 20	98764	Pre-nozzle w/needle tip
*53603	Air micrometer	98772	Needle w/needle tip
55848	Air inlet fitting, Sp. Mix	98806	Fan control service set
70615	Material Filter, R1/4	120071	Trigger lock, complete
74856	Sieve, 200 msh, pkg of 4	120261	Seal, reversing nozzle
82636	Air piston packing holder	120279	Reversing switch

## Replacement parts:

# SATA Dolphin M1420 14:1 Air Assisted Airless



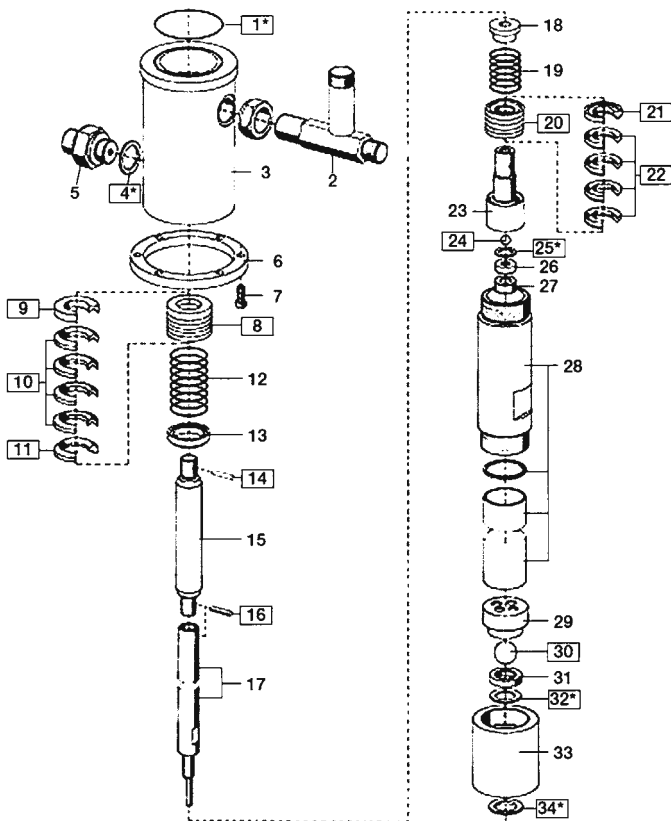
### Dolphin Air Motor

Packing Kit Dolphin 1420 air motor			641231
Position	Description		Quantity
21	"O" ring		4
26	Grooved ring		1
27	"O" ring		1
40	"O" ring		1
42	Guidance socket, cpl.		1

Repair Kit Dolphin air motor			641234
Position	Description		Quantity
3	Muffling washer		1
4	Notched ring		1
5	Muffling washer		1
11	Control piston, cpl.		1
12	Muffling washer		1
21	"O" ring		4
24	Safety ring		1
26	Grooved ring		1
27	"O" ring		1
29	"O" ring		1
30	Guidance ring		1
31	Washer		1
36	Control axle, cpl.		1
38	"O" ring		1
40	"O" ring		1
41	Safety ring		1
42	Guidance socket, cpl.		1

□ Only available in Repair Kit

\* Only available in Packing Kit



### Dolphin Material Pump

Packing Kit Dolphin material pump			64424
Position	Description		Quantity
1	"O" ring		1
4	Packing		1
25	Packing		1
32	Packing		1
34	Packing		1

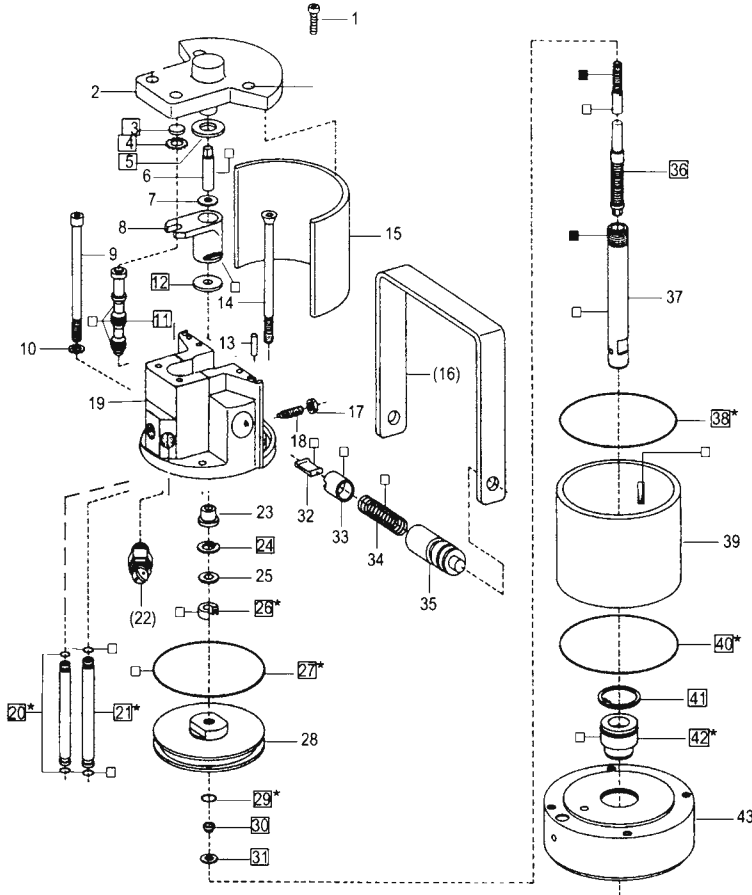
Repair Kit Dolphin material pump			604666
Position	Description		Quantity
1	"O" ring		1
4	Packing		1
8	Pack teflon		1
9	Top ring		1
10	Teflon sleeve		4
11	Counter ring		1
14	Clamping sleeve		1
16	Clamping sleeve		1
20	Pack teflon		1
21	Counter ring		1
22	Teflon sleeve		4
24	Ball		1
25	Packing		1
30	Ball		1
32	Packing		1
34	Packing		1

□ Only available in Repair Kit

\* Only available in Packing Kit

Replacement parts:

# SATA Shark M3227 32:1 Air Assisted Airless



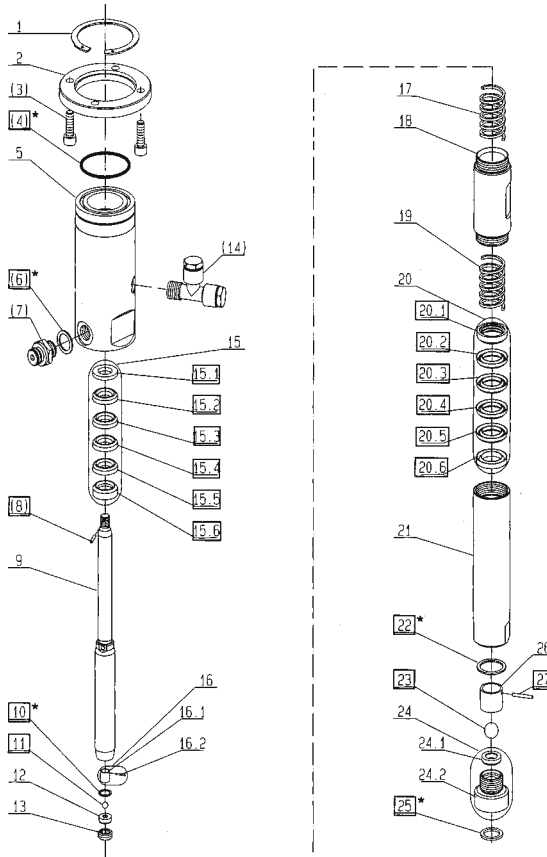
### Shark Air Motor

Packing Kit Shark air motor		622923
Position	Description	Quantity
20	"O" ring	2
26	Grooved ring	1
27	"O" ring	1
29	"O" ring	1
38	"O" ring	1
40	"O" ring	1
42	Guidance socket, cpl.	1

Repair Kit Shark air motor		622915
Position	Description	Quantity
3	Muffling washer	1
4	Notched ring	1
5	Muffling washer	1
11	Control piston, cpl.	1
12	Muffling washer	1
20	"O" ring	2
24	Safety ring	1
26	Grooved ring	1
27	"O" ring	1
29	"O" ring	1
30	Guidance ring	1
31	Washer	1
36	Control axle, cpl.	1
38	"O" ring	1
40	"O" ring	1
41	Safety ring	1
42	Guidance socket, cpl.	1

□ Only available in Repair Kit

\* Only available in Packing Kit



### Shark Material Motor

Packing Kit Shark material pump		602876
Position	Description	Quantity
4	"O" ring	1
6	Packing	1
10	Packing	1
22	Packing	1
25	Packing	1

Repair Kit Shark material pump		605654
Position	Description	Quantity
4	"O" ring	1
6	Packing	1
8	Clamping sleeve	1
10	Packing	1
11	Ball	1
15.1	Top ring	1
15.2	Teflon sleeve	1
15.3	Teflon sleeve	1
15.4	Teflon sleeve	1
15.5	Teflon sleeve	1
15.6	Counter ring	1
20.1	Counter ring	1
20.2	Teflon sleeve	1
20.3	Teflon sleeve	1
20.4	Teflon sleeve	1
20.5	Teflon sleeve	1
20.6	Top ring	1
22	Packing	1
23	Ball	1
25	Packing	1
27	Cylindrical pin	1

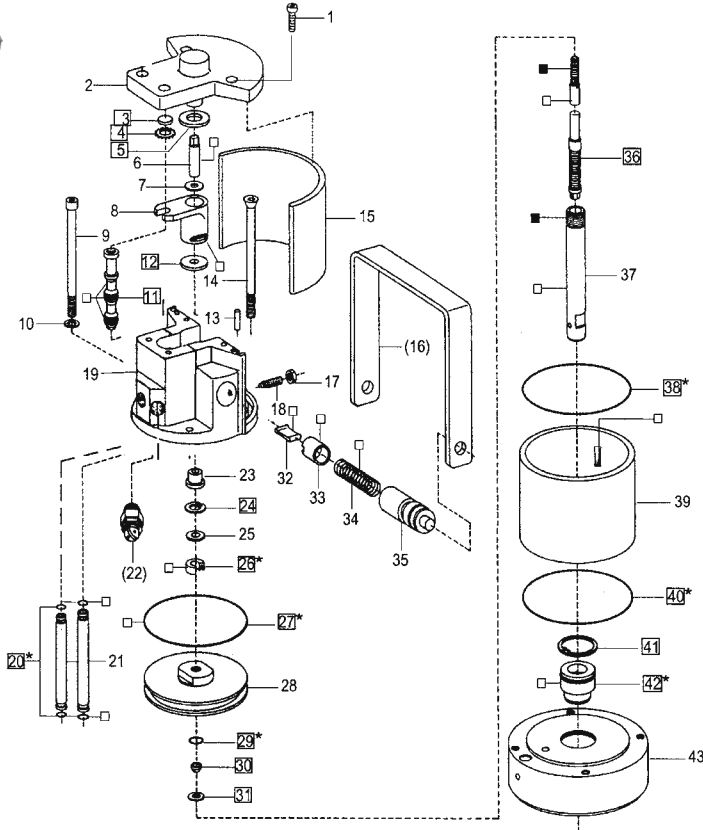
□ Only available in Repair Kit

\* Only available in Packing Kit

**Replacement parts:**



**SATA Shark  
M3227 32:1 Airless  
(27 ccm material delivery)**



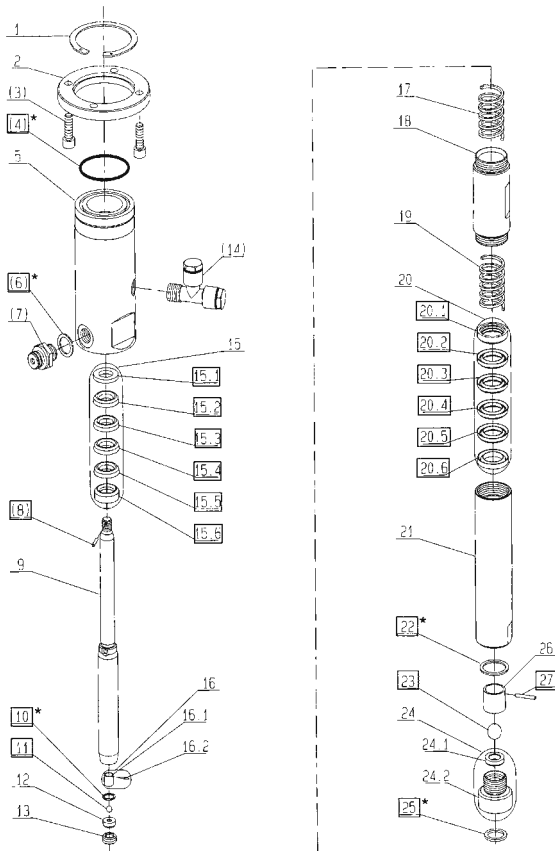
**Orca Air Motor**

Packing Kit Orca 3227 air motor		622923
Position	Description	Quantity
20	"O" ring	2
26	Grooved ring	1
27	"O" ring	1
29	"O" ring	1
38	"O" ring	1
40	"O" ring	1
42	Guidance socket, cpl.	1

Repair Kit Orca 3227 air motor		622915
Position	Description	Quantity
3	Muffling washer	1
4	Notched ring	1
5	Muffling washer	1
11	Control piston, cpl.	1
12	Muffling washer	1
20	"O" ring	2
24	Safety ring	1
26	Grooved ring	1
27	"O" ring	1
29	"O" ring	1
30	Guidance ring	1
31	Washer	1
36	Control axle, cpl.	1
38	"O" ring	1
40	"O" ring	1
41	Safety ring	1
42	Guidance socket, cpl.	1

□ Only available in Repair Kit

\* Only available in Packing Kit



**Orca Material Pump**

Packing Kit Orca 3227 material pump		602876
Position	Description	Quantity
4	"O" ring	1
6	Packing	1
10	Packing	1
22	Packing	1
25	Packing	1

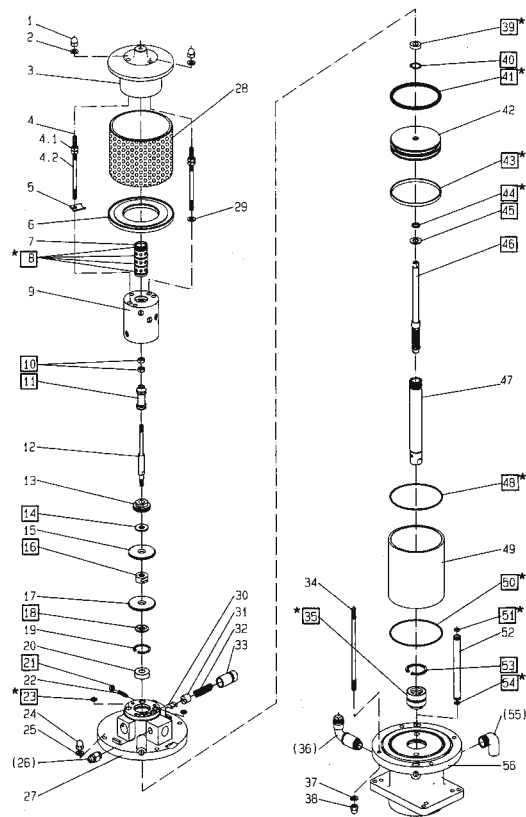
Repair Kit Orca 3227 material pump		605654
Position	Description	Quantity
4	"O" ring	1
6	Packing	1
8	Clamping sleeve	1
10	Packing	1
11	Ball	1
15.1	Top ring	1
15.2	Teflon sleeve	1
15.3	Teflon sleeve	1
15.4	Teflon sleeve	1
15.5	Teflon sleeve	1
15.6	Counter ring	1
20.1	Counter ring	1
20.2	Teflon sleeve	1
20.3	Teflon sleeve	1
20.4	Teflon sleeve	1
20.5	Teflon sleeve	1
20.6	Top ring	1
22	Packing	1
23	Ball	1
25	Packing	1
27	Cylindrical pin	1

□ Only available in Repair Kit

\* Only available in Packing Kit

# Replacement parts:

## SATA Orca M3272 32:1 Airless (72 ccm material delivery)



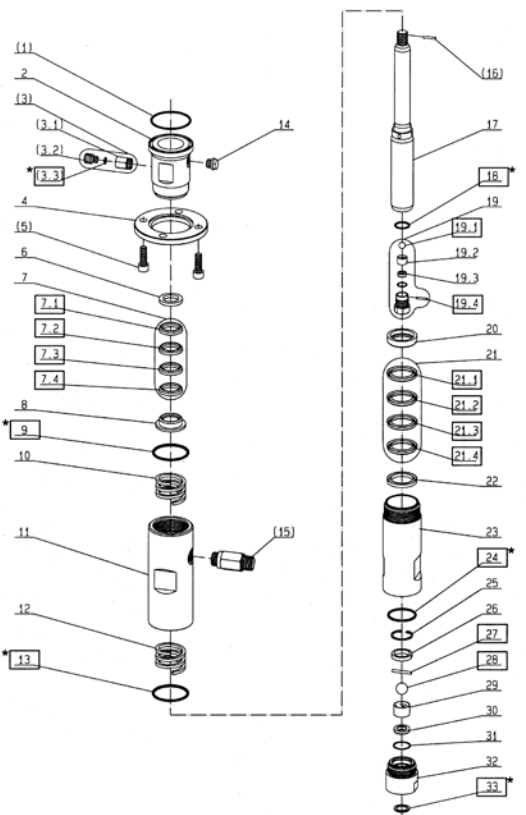
### Orca 3272 Air Motor

Packing Kit Orca 3272 air motor		97618
Position	Description	Quantity
8	"O" ring	4
23	"O" ring	6
35	Socket, cpl.	1
39	Grooved ring	1
41	"O" ring	1
43	Guidance ring	1
44	"O" ring	1
48	"O" ring	1
50	"O" ring	1
51	"O" ring	2
54	"O" ring	2

Repair Kit Orca 3272 air motor		97667
Position	Description	Quantity
8	"O" ring	4
10	Nut	2
11	Control piston, cpl.	1
14	Muffling washer	1
16	Catch, cpl.	1
18	Muffling washer	1
21	Nut	2
23	"O" ring	6
35	Socket, cpl.	1
39	Grooved ring	1
40	Safety ring	1
41	"O" ring	1
43	Guidance ring	1
44	"O" ring	1
45	Washer	1
46	Control axle, cpl.	1
48	"O" ring	1
50	"O" ring	1
51	"O" ring	2
53	Safety ring	1
54	"O" ring	2

Only available in Repair Kit

\* Only available in Packing Kit



### Orca 3272 Material Pump

Packing Kit Orca 3272 material pump		97600
Position	Description	Quantity
3.3	"O" ring	1
9	Packing ring	1
13	Packing ring	1
18	Packing ring	1
24	Packing ring	1
33	Packing ring	1

Repair Kit Orca 3272 material pump		97659
Position	Description	Quantity
3.3	"O" ring	1
7.1	Teflon sleeve	1
7.2	Leather sleeve	1
7.3	Teflon sleeve	1
7.4	Teflon sleeve	1
9	Packing ring	1
13	Packing ring	1
18	Packing ring	1
19.1	Ball	1
19.4	Clamping sleeve	1
21.1	Teflon sleeve	1
21.2	Teflon sleeve	1
21.3	Leather sleeve	1
21.4	Teflon sleeve	1
24	Packing ring	1
27	Cylindrical pin	1
28	Ball	1
33	Packing	1

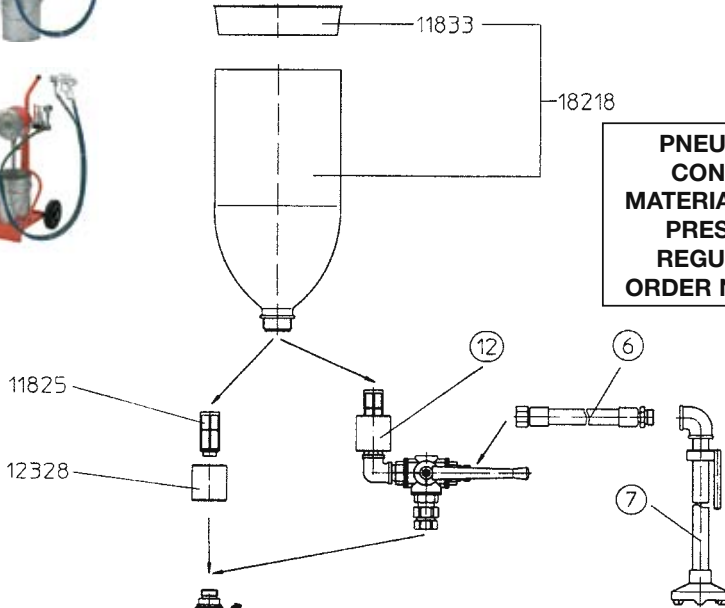
Only available in Repair Kit

\* Only available in Packing Kit



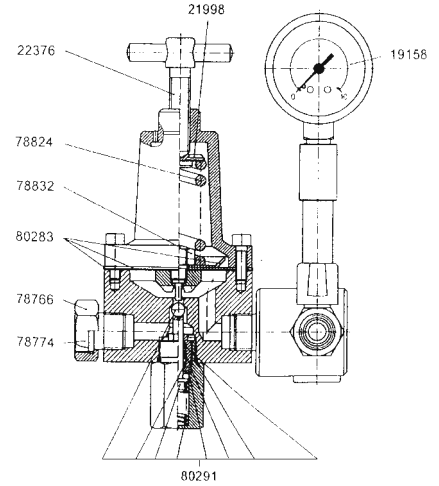
Replacement parts:

# SATA Vario Top Double Membrane Pump and Accessories



**PNEUMATIC CONTROL MATERIAL MICRO PRESSURE REGULATOR ORDER NO. 50021**

## Vario Top Material Micro Pressure Regulator



## Vario Top Repair/Gasket Sets

### 45195 Seal kit for Vario Top pump

Includes: 46763 (2), 46821 (3), 47092 (2), 47209 (2), 47514 (2), 48454 (2), 49585 (2), 62299 (4), 62307 (2), 62943 (2)

### 60012 Diaphragm repair kit

Includes: 62265 (2), 62299 (4)

### 60038 Control repair kit

Includes: 46763 (2), 46821 (3), 47209 (2), 47514 (2), 62299 (4), 63479 (1), 63495 (1)

### 60228 Valve repair kit

Includes: 16709 (2), 62257 (4), 62273 (4), 62281 (4), 62299 (4), 62307 (2)

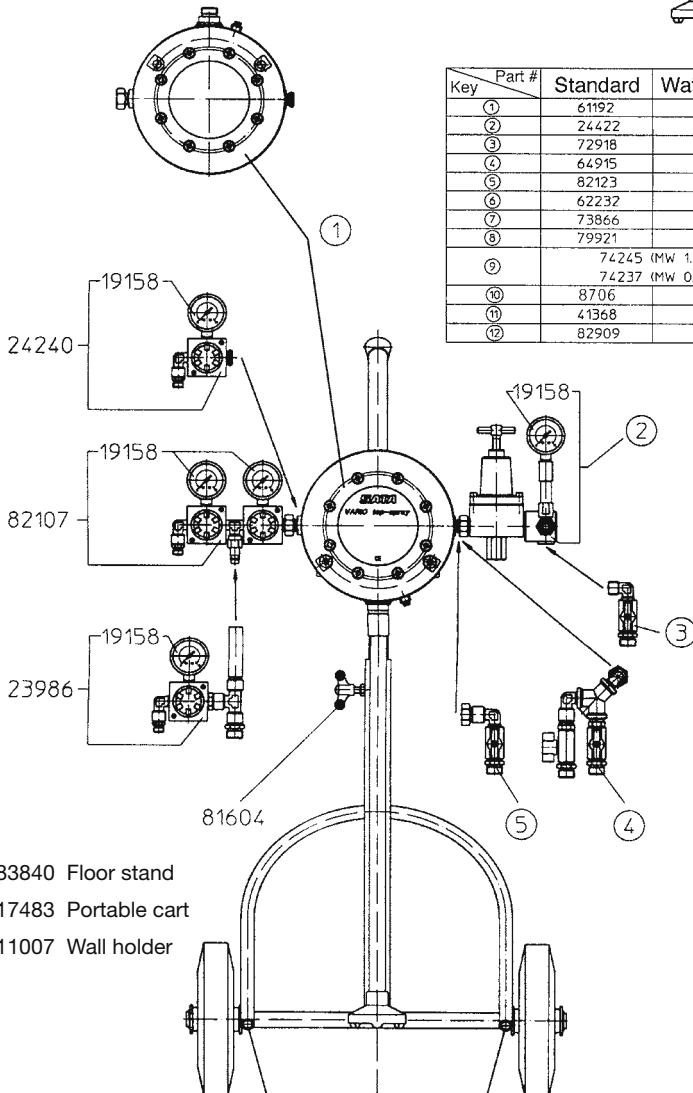
### 60301 Carrier rod repair kit

Includes: 46763 (2), 46821 (3), 47514 (2), 62299 (4), 63487 (1)

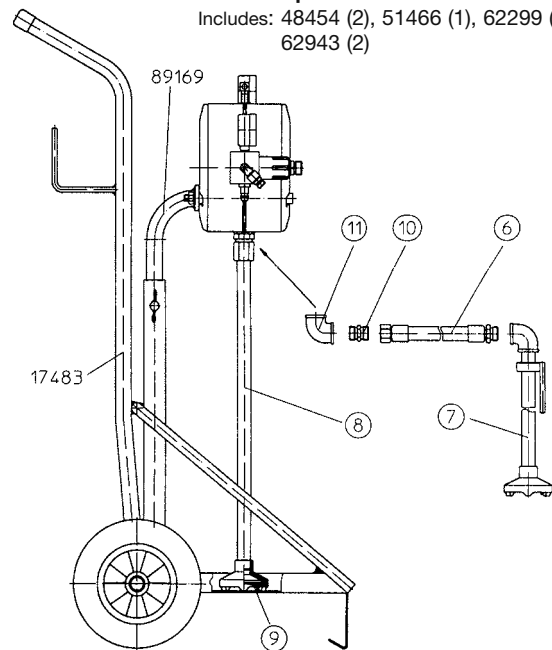
### 60657 Carrier repair kit

Includes: 48454 (2), 51466 (1), 62299 (4), 62943 (2)

Key	Part #	Standard	Water Borne
①	61192	88641	
②	24422	25338	
③	72918	57570	
④	64915		
⑤	82123		
⑥	62232	45047	
⑦	73866	74203	
⑧	79921	80679	
⑨	74245 (MW 1.0)		
	74237 (MW 0.5)		
⑩	8706	82941	
⑪	41368		
⑫	82909	74211	



- 83840 Floor stand
- 17483 Portable cart
- 11007 Wall holder

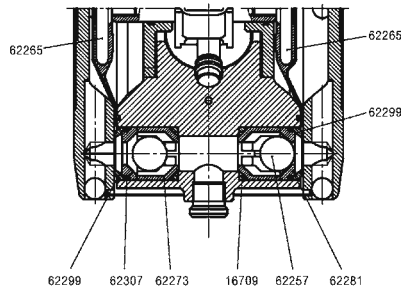
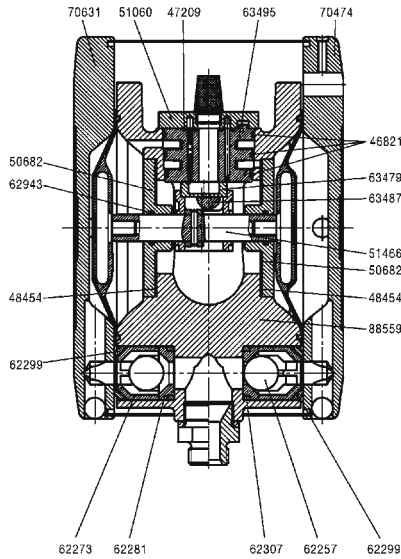


## Replacement parts:

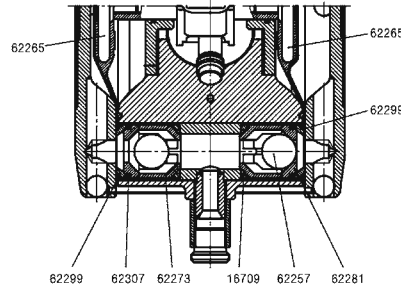
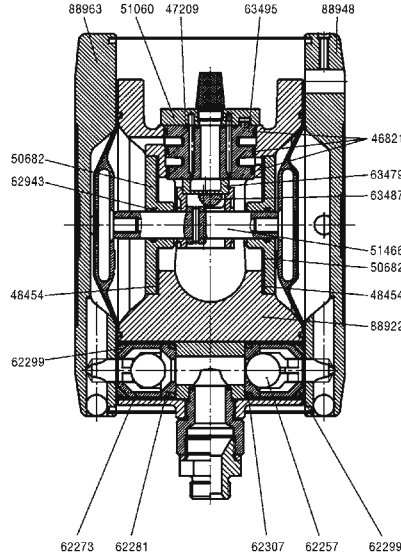
# SATA Vario Top Double Membrane Pump and Accessories

## VARIO TOP PUMP

### Standard Version



### Stainless Steel Version



### Part # Description

#### VARIO TOP UNITS

8706	Nipple, G 125, galvanized
11007	Wall Holder, Vario Top
11825	Sieve, 5 liter gravity container
11833	Cup lid, 5 liter gravity container
12328	Coupling stud, 5 liter gravity container
17483	Trolley, Vario Top
18218	5 liter gravity container complete
19158	Pressure gauge, 0-150 psi
19851	Sieve bags, pkg of 10
23986	Std 2nd spray gun connection (air)
24240	Single pressure regulator, 0-150 psi
57570	2nd gun connection, S/S, (material)
62018	5 liter conversion kit, cpl w/valve
72918	2nd gun connection, Std, (material)
74211	Gravity conversion kit, stainless
74237	Sieve, MW 0.5, stainless steel
74245	Sieve, MW 1.0, stainless steel
79921	Suction tube, std complete
80879	Suction tube, stainless complete
81604	Height adjusting wing nut
82107	Dual pressure regulator, 0-150 psi
82909	Conversion kit, gravity standard
82941	Nipple, G 125, stainless steel
83840	Stand, Vario Top
89169	Gooseneck pump mounting

### OPTIONAL VARIO TOP FITTINGS AND CONNECTIONS

41368	Elbow, G1/2 GF galvanized
45047	Suction hose, stainless, cpl
62232	Suction hose, standard, cpl
64915	Dual gun conn., std (material)
73866	Suction tube, std, cpl w/sieve
74203	Suction tube, s/s, cpl w/sieve
82123	Single gun conn.,std (material)

### VARIO TOP DOUBLE MEMBRANE PUMP UNIT

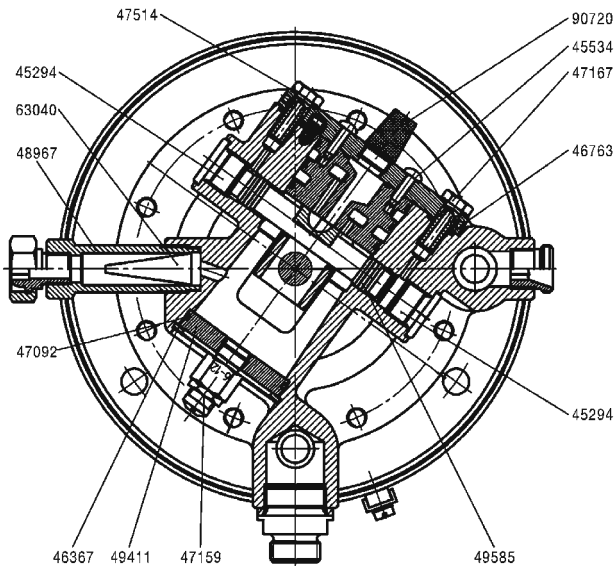
61192	Pump, standard w/o fittings
88641	Pump, stainless w/o fittings
16709	Seal, Vario Top
43141	Screw, M4 x 10
43273	Screw, M8 x 25
45294	Screw, G 3/8B
45534	Self tapping fillister screw
46367	Retainer ring, 52 x 2
46763	"O" ring, 9 x 2B
46821	"O" ring, 42 x 2B
47092	"O" ring, 48 x 2 Buna N
47159	Safety valve, G 1/4 PN 8
47167	Hollow screw, M8 x 21
47209	Seal, double diaphragm pump
47514	Gasket, 8.2 x 11.4 x 1
48454	Flat Seal, D72 x T1
48967	Sleeve, G 1/4 x 20 x 1.5 x 65
49411	Lid, D52
49585	"O" ring 10 x 2mm
50682	Bearing Lid, 14.1 x 72 x 15
51060	Oval flange
51466	Drive pin
62257	Valve ball, 18mm
62265	Diaphragm, complete D123
62273	Ball guide
62281	Valve seat D12
62299	"O" ring, 17 x 5.5mm
62307	"O" ring, 22 x 3mm
62943	"O" ring, 14 x 2mm
63040	Sieve, 1.0 mesh, brass
63479	Flat slide, 24 x 19mm
63487	Carrier rod, D13 9L
63495	Valve seat, D48mm
70474	Housing cover, standard
70631	Housing cover, standard
88559	Pump diaphragm housing, cpl
88922	Pump diaphragm housing, cpl.
88948	Housing cover, water borne
88963	Housing cover, water borne
90720	Silencer, dbl diaphragm pump

### MATERIAL FINE PRESSURE REGULATOR

24422	Material fine pressure reg., std
25338	Material fine pressure reg., s/s
50021	Pneumatic Control fine pressure regulator
9415	Cap screw, M5 x 16 DIN912
19158	Gauge, 0-150 psi 50mm
21998	Pressure plate, regulator
22376	T handle, pressure adjusting
78766	Bushing, pressure regulator
78774	Insert, pressure regulator
78824	Pressure spring
78832	Plunger, pressure regulator
80283	Diaphragm set
80291	Plunger set, pressure regulator

### Parts for old version Vario Top pump

62240	Valve seat D12
-------	----------------





## Replacement parts:

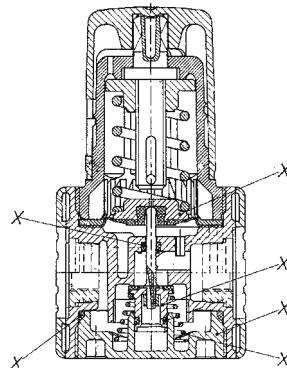
# SATA Mini Set 2 Liter Pressure Tank

Part #	Description
109	Fitting, R 1/4
784	Female Nipple (Milton), R 1/4
5868	Shoulder harness
7815	Nut, check valve
15206	Pressure regulator, w/o fittings
17384	Regulator assembly, complete
20677	Repair kit, regulator
21238	Deck lid with fittings
23085	Over pressure valve
28878	Nut, carrying handle
37598	Teflon ball valve, R 1/4
50195	Sieve, pk of 2
54049	Gasket, pk of 4
61267	T fitting, R 1/4
62075	Gauge, 0-60 psi R 1/4
66357	Gasket, R 1/4 x 2mm
74310	Elbow fitting, 90 degree
77362	Fitting, relief valve
77404	Pressure relief valve, pk of 3
88302	Carrying handle
88328	Siphon tube, plastic
88336	90 degree angle fitting
88484	Check valve, complete

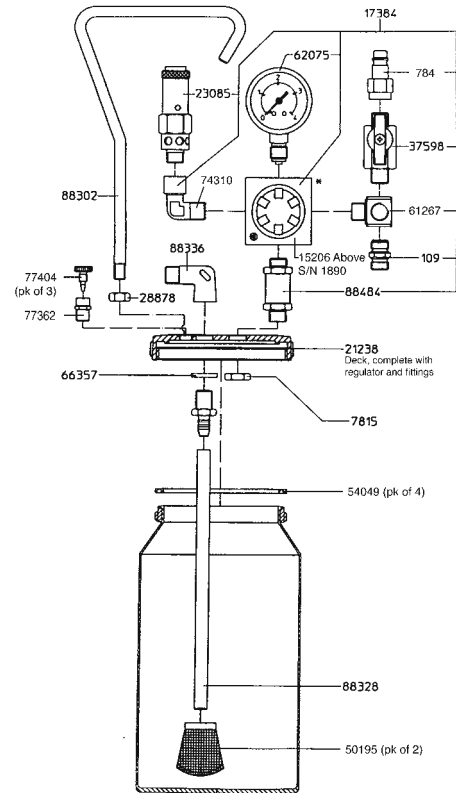
### PARTS FOR OLD VERSION SATA MINI-SET 2 LITER

17376	Tube nut, R 1/4
24307	Tube nut, R 3/8
38430	T fitting, R 1/4

### SATA Pressure Regulator #15206



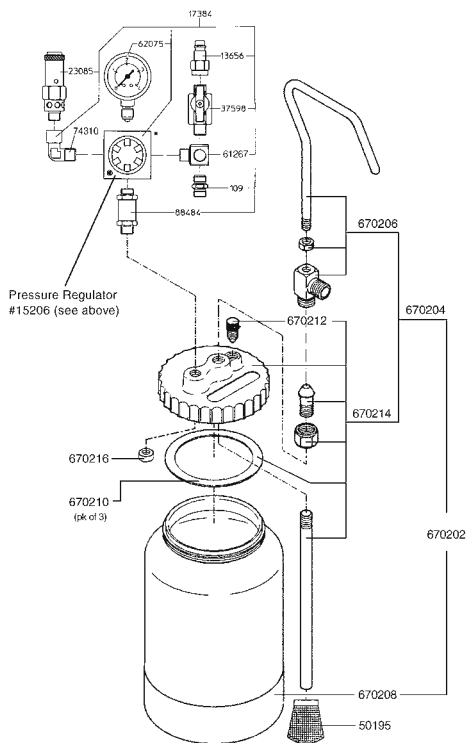
Parts marked X are included in regulator repair kit #20677



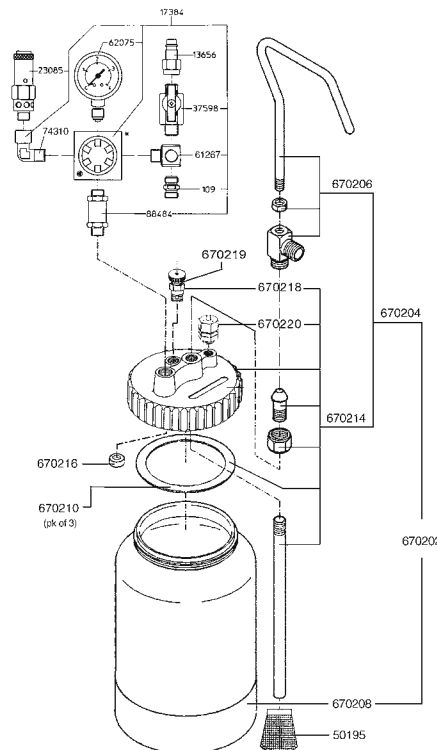
# SATA/Dan-Am 2 Liter Pressure Tank Part #670200



## 3 Port Deck



## 4 Port Deck



Part #	Description
109	Fitting, R 1/4
5868	Shoulder harness
13656	Female Nipple, R 1/4
15206	Pressure regulator, w/o fittings
17384	Regulator assembly, complete
20677	Repair kit, regulator
23085	Over pressure valve
37598	Teflon ball valve, R 1/4
50195	Sieve, pk of 2
61267	T fitting, R 1/4
62075	Gauge, 0-60 psi R 1/4
74310	Elbow fitting, 90°
88484	Check valve, complete
670202	Pot complete w/o regulator
670204	Deck complete w/o regulator
670206	Material outlet/handle assembly
670208	Pressure cup, 2 Liter
670210	Deck gasket, pk of 3
670212	Pressure relief valve
670214	Deck assembly
670216	Check valve insert
670218	Pressure release valve
670220	Pressure safety valve

Use for pots with serial number above 2-00001

## Replacement parts:

# SATA Color Set 10 Liter Pressure Tank



### Part # Description

15206	Pressure regulator, w/o fittings	19166	Air relief valve
17376	Mounting nut	20677	Repair kit, regulator
18937	Gauge 0-60 psi R 1/4	22129	Teflon ball valve, R 3/8 OT x R 1/4 OT
18945	Over pressure valve, 45 psi	24281	Deck, powder coated black
18952	Teflon ball valve, R 3/8 OT x R 1/2 OT	24307	Tube nut, R 3/8
18994	Teflon ball valve, R 3/8 OT x R 1/4 IT	24315	Wing nut
19000	Handle, 10 liter	25890	Gasket, copper
19018	Double regulator assembly, complete	27573	Safety circlip
19026	Single regulator assembly, complete	72561	Pin, eye bolt
19034	Eye bolt	72769	Gasket, 10 liter deck
19042	Flat washer	88484	Check valve, complete
19158	Gauge 0-150 psi R 1/4		

## Accessories

Pneumatic stirrer complete with transmission for SATA 10-48 liter

**Order Number 61184**

Hand stirrer, SATA 10 liter pressure tank

**Order Number 14233**

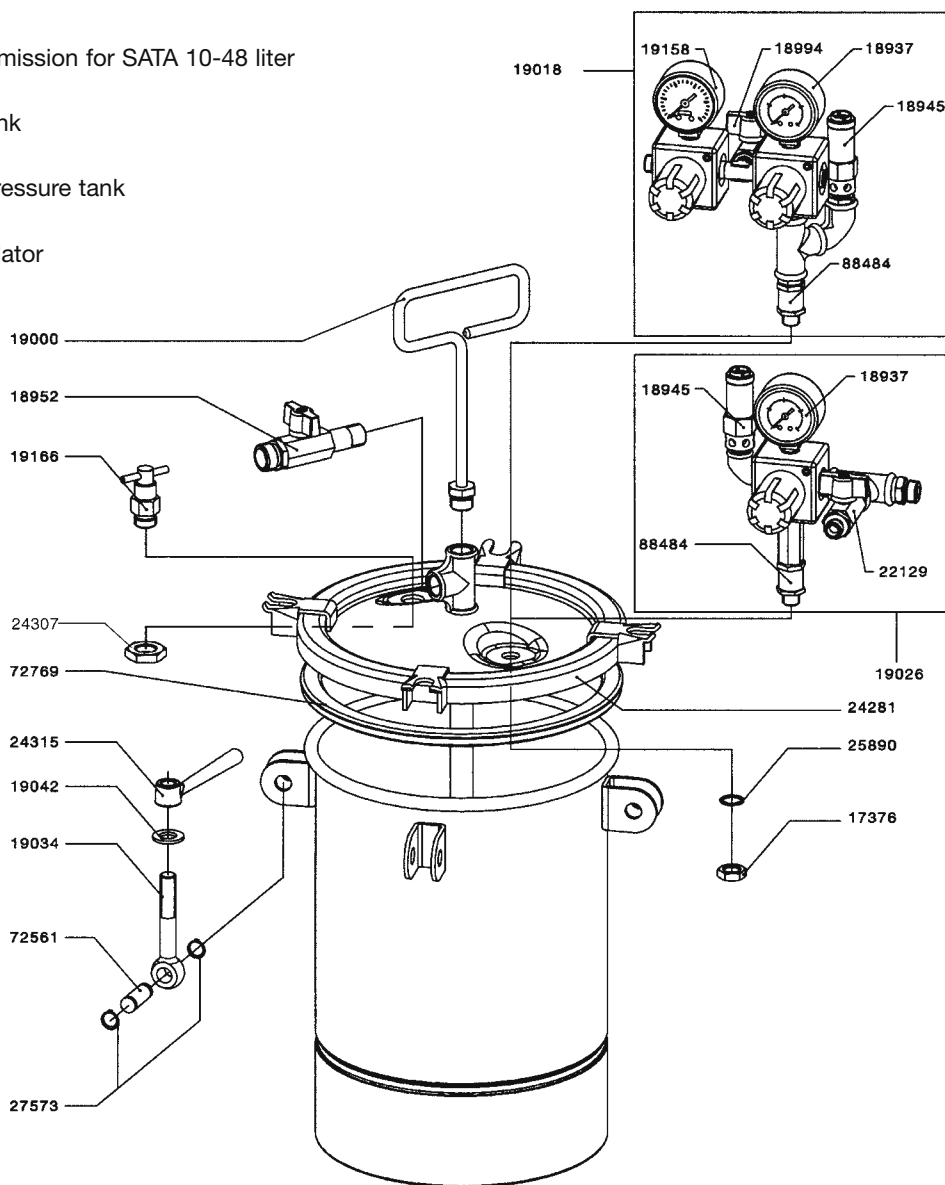
Galvanized pot insert, SATA 10 liter pressure tank

**Order Number 14159**

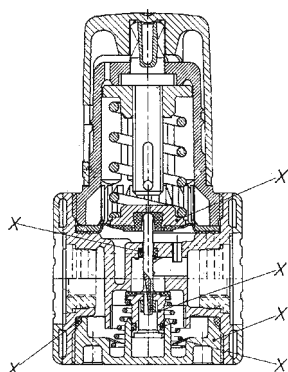
Cover mounted double pressure regulator

SATA 10 liter

**Order Number 14357**



### SATA Pressure Regulator #15206

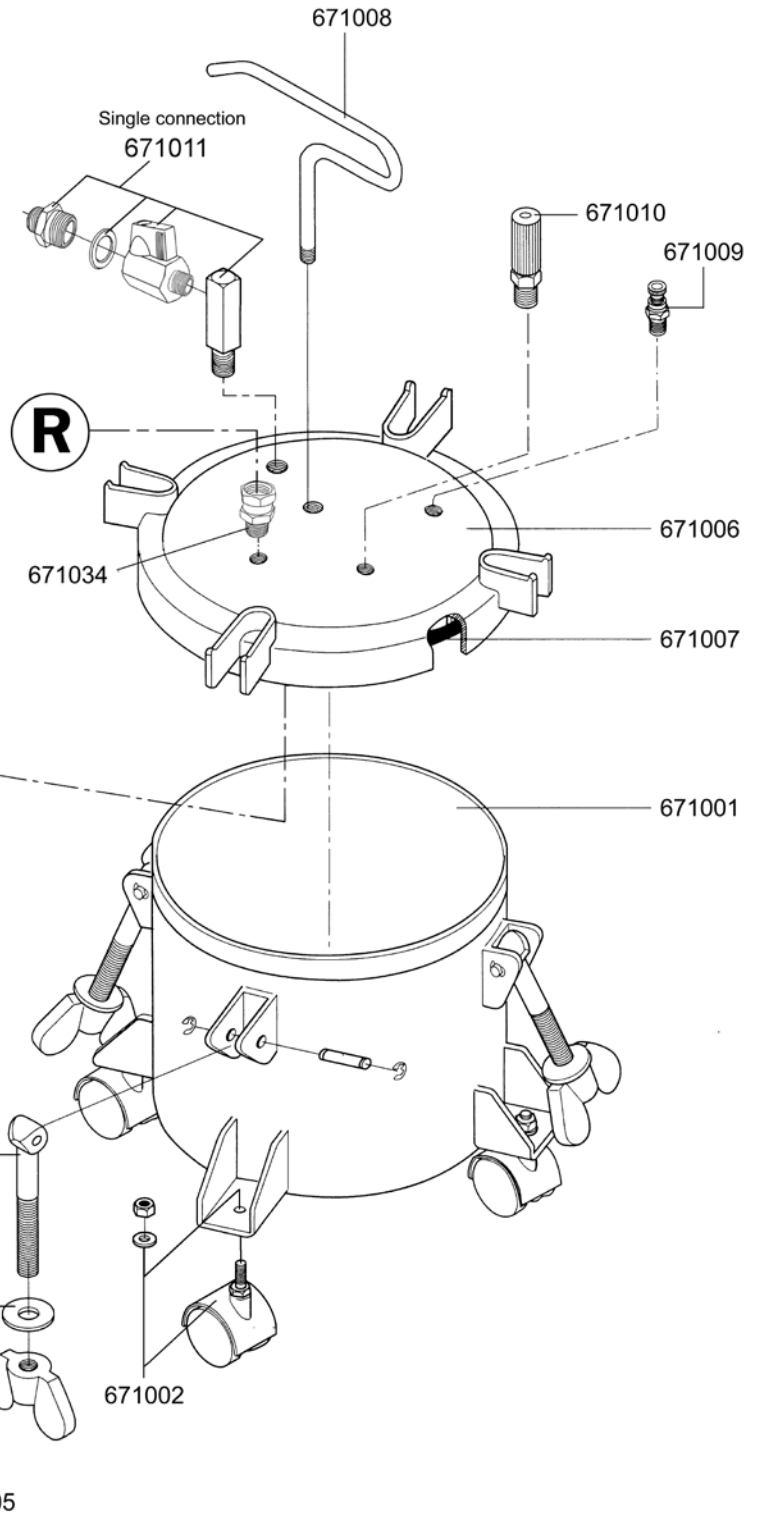


Parts marked X are included in regulator repair kit #20677

**Replacement parts:**

# Dan-Am 10 Liter Pressure Tank

<b>Part #</b>	<b>Description</b>
671001	Pressure tank
671002	Wheel assembly
671003	Swing bolt assembly
671004	Fluid tube assembly
671005	Fluid sieve kit
671006	Tank lid
671007	Lid gasket
671008	Handle
671009	Pressure relief valve
671010	Secondary over pressure release valve
671011	Fluid Valve Assembly, single
671012	Disposable liner, 10L, Pk of 12
671034	Swivel Connector, Male/Female
671060	Disposable liner, 10L, Pk of 60

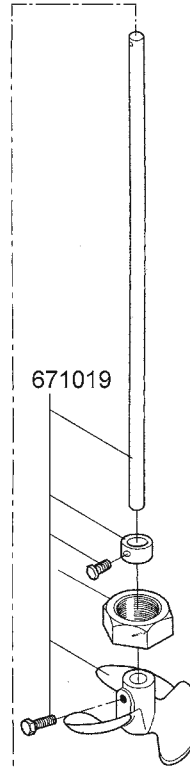
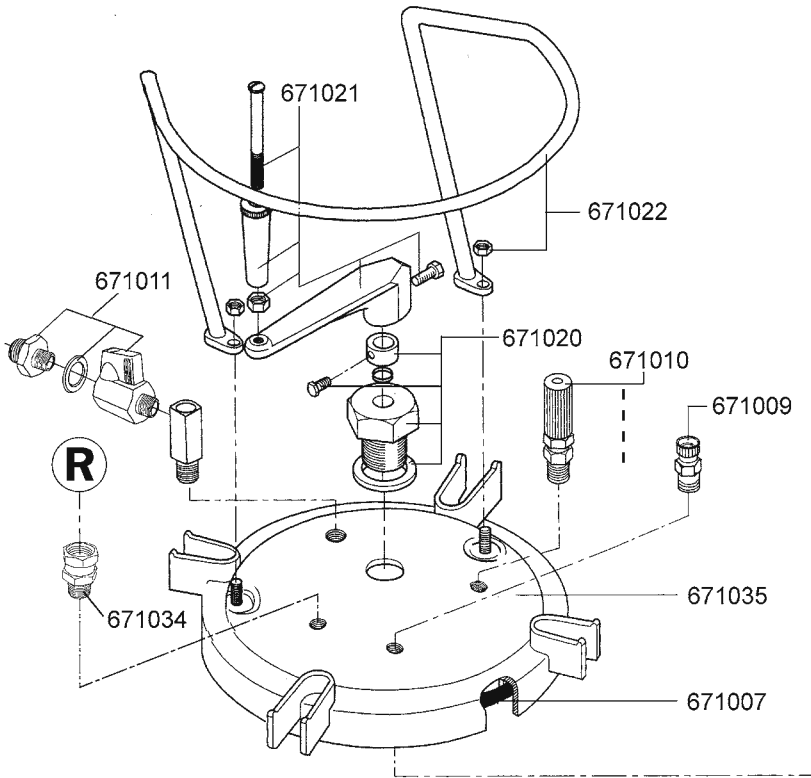


**(R)** = Regulator  
See page 116

Replacement parts:

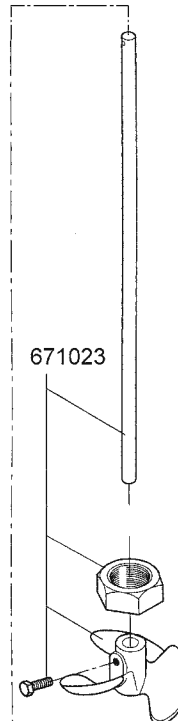
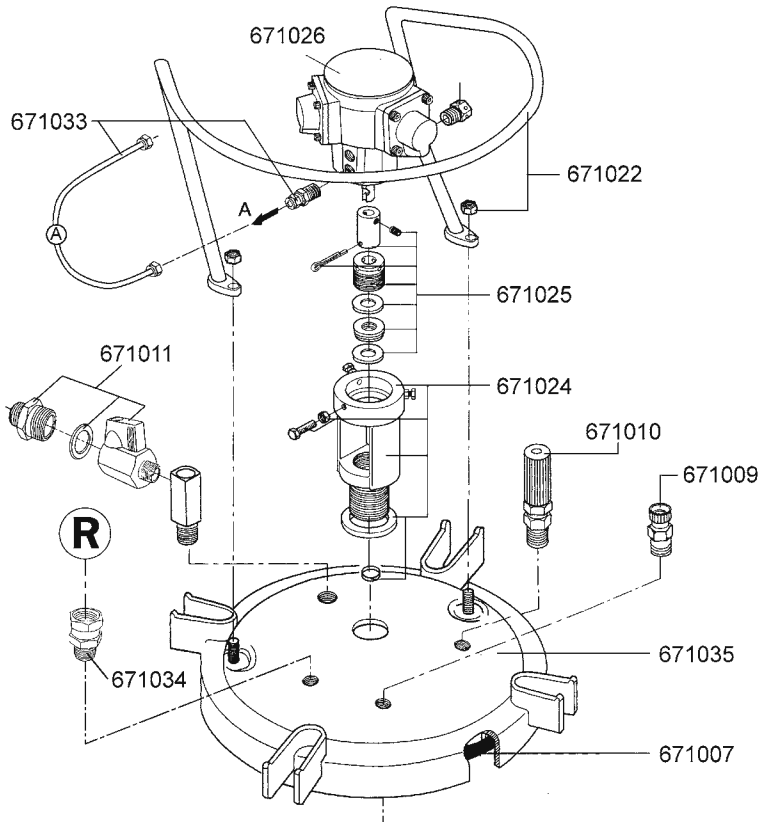
# Dan-Am 10 Liter Pressure Tank

## Manual Crank Agitator Version



Part #	Description
671007	Lid gasket
671009	Pressure relief valve
671010	Secondary over pressure release valve
671011	Fluid valve assembly
671019	Manual agitator shaft assembly
671020	Manual crank base assembly
671021	Manual crank assembly
671022	Parts guard assembly
671023	Pneumatic agitator shaft assembly
671024	Motor base assembly
671025	Connecting bushing assembly
671026	Air motor
671033	Agitator air line assembly
671034	Swivel connector, male/female
671035	Tank lid

## Pneumatic Air Agitator Version



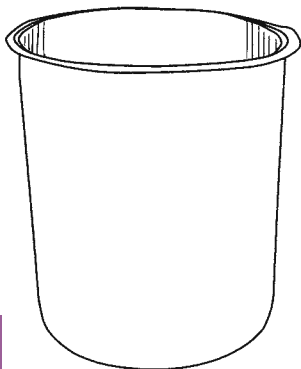
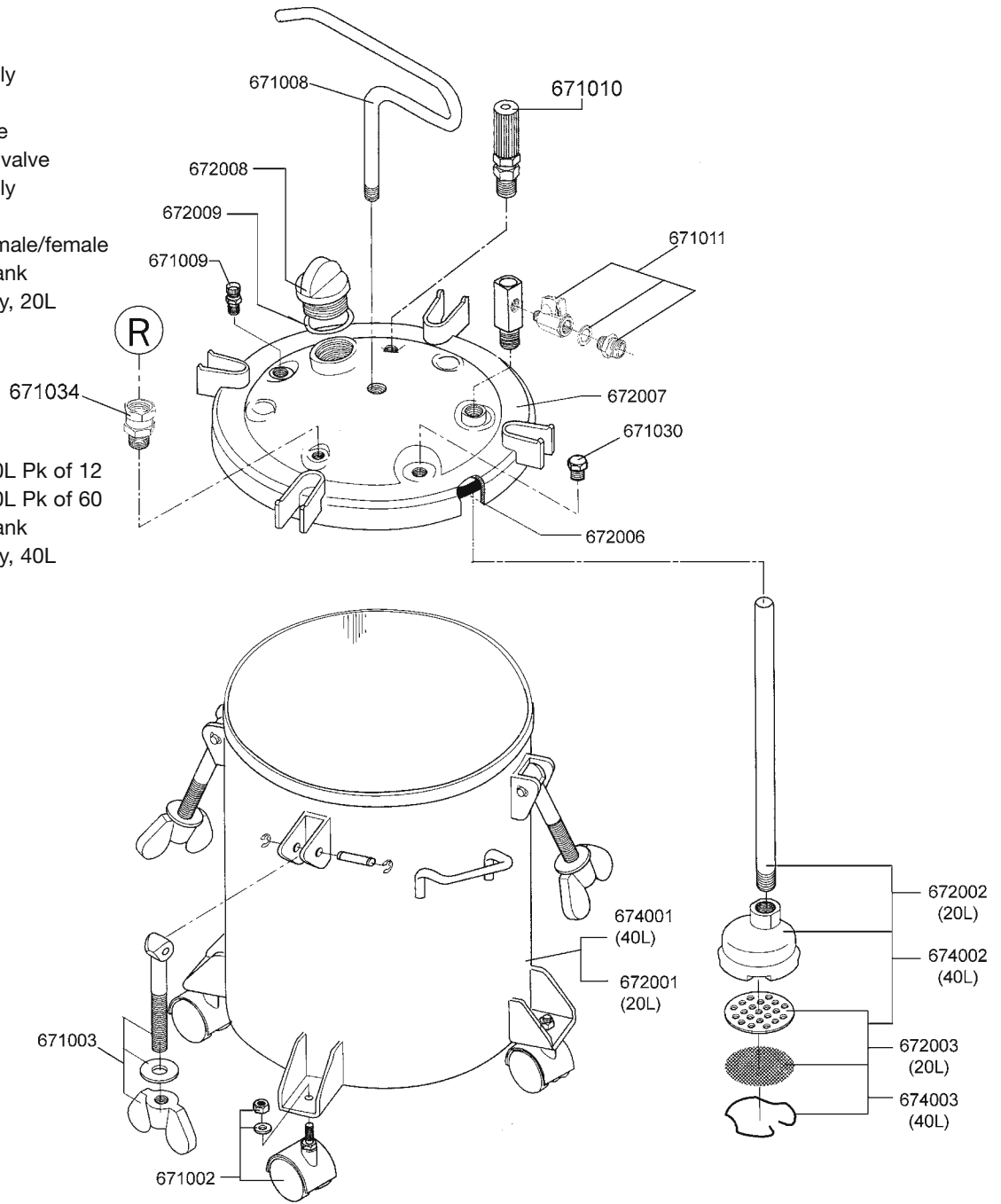
**(R)** = Regulator  
See page 116

## Replacement parts:

# Dan-Am 20 - 40 Liter Pressure Tank

### Part No. Description

671002	Wheel assembly
671003	Swing bolt assembly
671008	Handle
671009	Pressure relief valve
671010	Secondary release valve
671011	Fluid valve assembly
671030	Plug, 1/4" male
671034	Swivel connector, male/female
672001	20-Liter pressure tank
672002	Fluid tube assembly, 20L
672003	Fluid sieve kit, 20L
672006	Lid gasket
672007	Tank lid
672008	Cap screw
672009	"O" Ring
672012	Disposable liner, 20L Pk of 12
672024	Disposable liner, 20L Pk of 60
674001	40-Liter pressure tank
674002	Fluid tube assembly, 40L
674003	Fluid sieve kit, 40L



20L disposable liners

672012 Pk of 12  
672024 Pk of 24

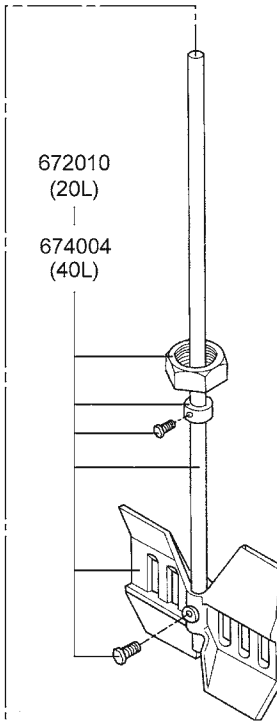
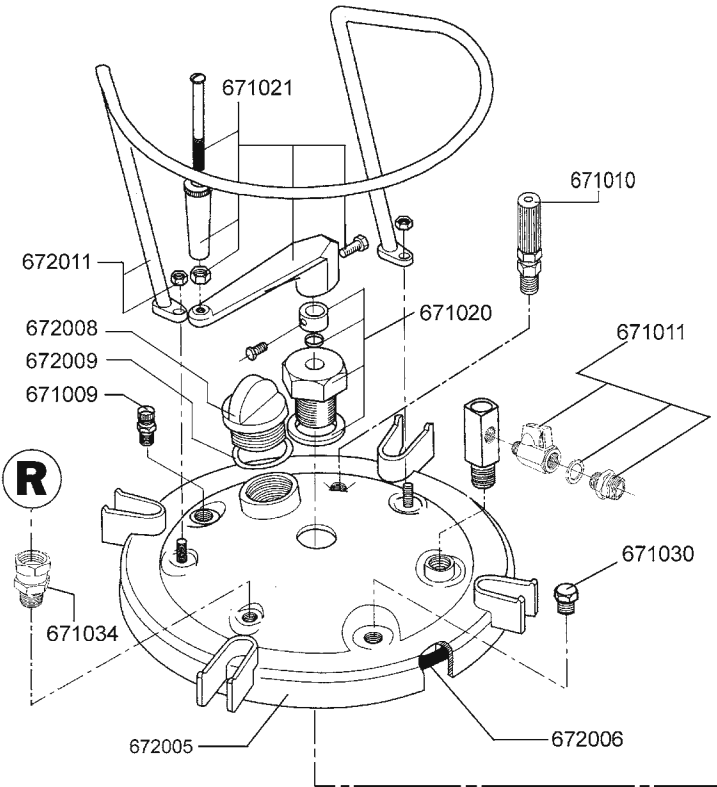
**(R)** = Regulator

See page 116

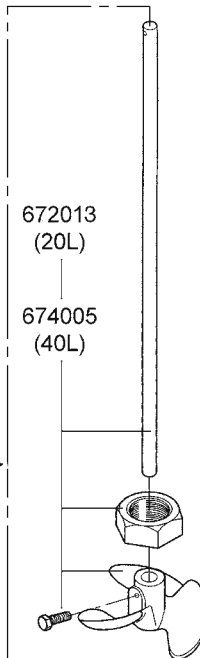
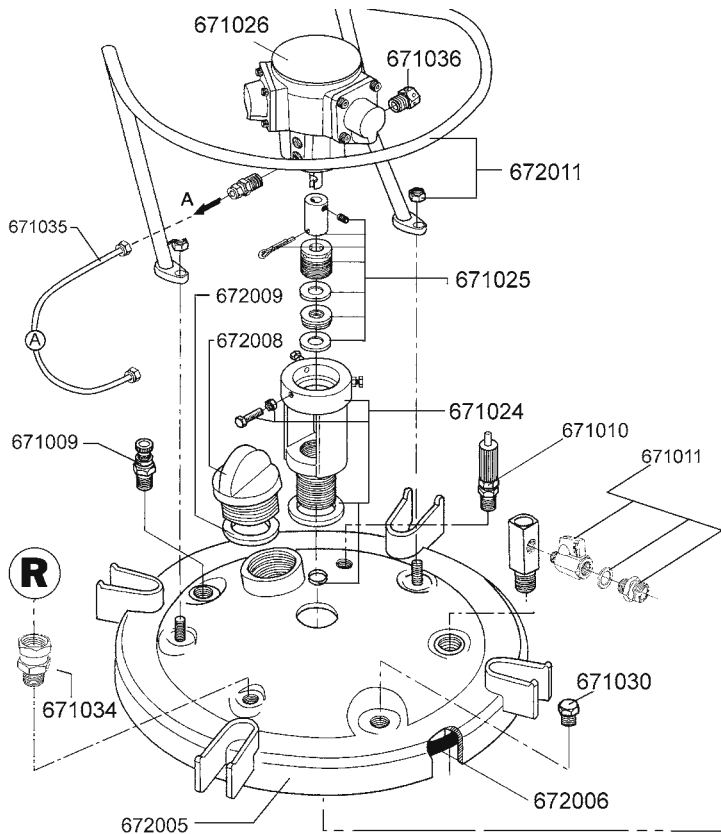
Replacement parts:

# Dan-Am 20 - 40 Liter Pressure Tank

## Manual Crank Agitator Version



## Pneumatic Air Agitator Version



Part No.	Description
671009	Pressure relief valve
671010	Secondary over-pressure release valve
671011	Fluid valve assembly
671019	20L manual agitator shaft assembly
671020	Manual crank assembly
671021	Manual crank assemble
671024	Motor base assemble
671025	Connecting bushing assm.
671026	Air motor
671030	Plug, ¼ male
671033	Barb fitting
671034	Swival connector, male/female
671035	Agitator air line
671036	Muffler
672005	Tank lid
672006	Lid gasket
672008	Cap screw
672009	"O" Ring
672010	20L manual agitator Shaft assembly
672011	Parts guard assembly
672013	20-Liter pneumatic agitator shaft assembly
674004	40-Liter manual agitator shaft assembly
674005	40-Liter pneumatic agitator shaft assembly

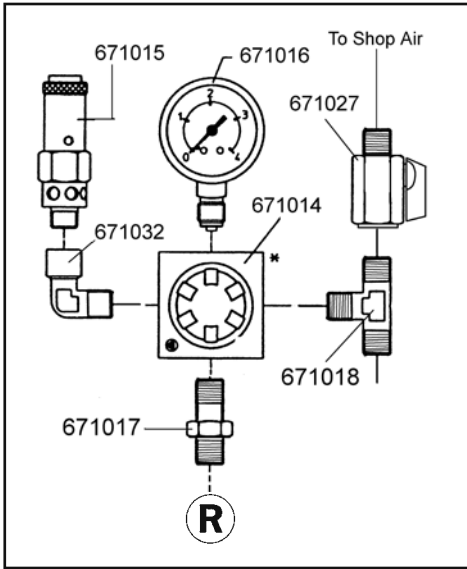
**(R)** = Regulator  
See page 116



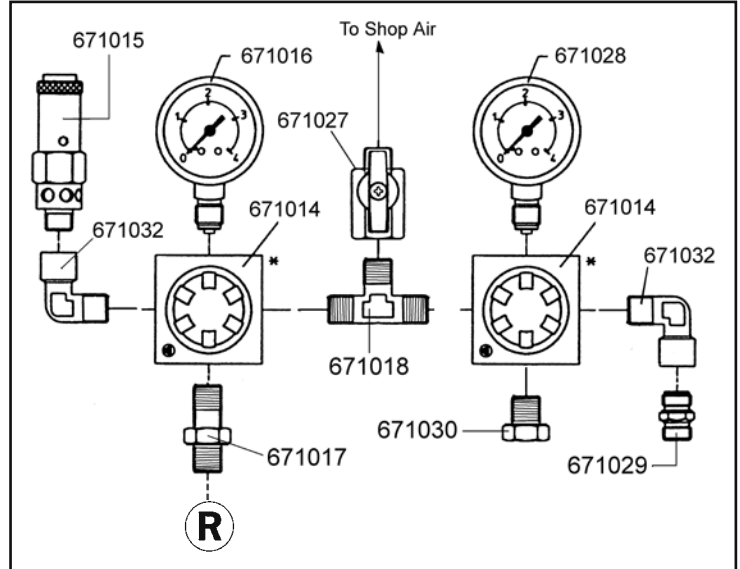
**Replacement parts:**

# Dan-Am 10 - 40 Liter Pressure Tank Regulators

**Dan-Am Single Pressure Regulator 671037**



**Dan-Am Double Pressure Regulator 671039**



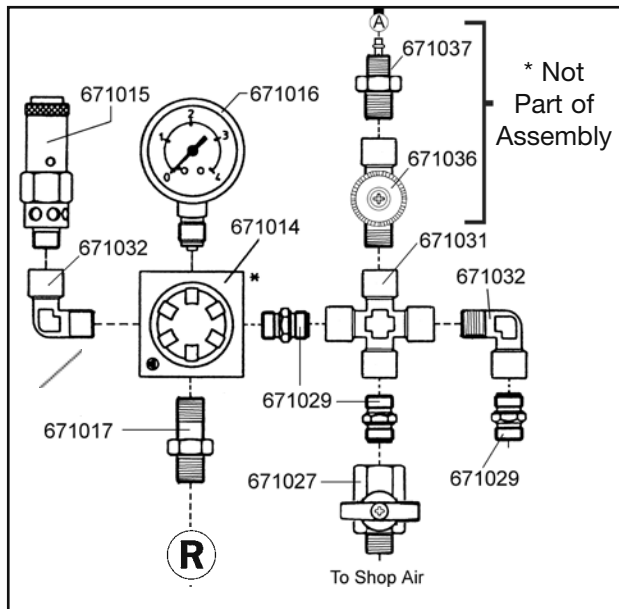
Part #	Description
671037	Single pressure regulator assembly
671038	Single pressure regulator assembly, pneumatic agitator
671039	Double pressure regulator assembly
671040	Double pressure regulator assembly pneumatic agitator
671014	Pressure regulator
671015	Primary relief valve
671016	Pressure gauge, 0-60 psi
671017	Check valve

Part #	Description
671018	"T" Fitting
671027	Ball valve
671028	Pressure Gauge, 0 – 100 psi
671029	Nipple, ¼ x ¼ Male
671030	Plug, ¼ Male
671031	4 way fitting, ¼
671032	Elbow Fitting, ¼
671033	Agitator air line assembly (includes hose and fasteners)
671036	Agitator shut off valve

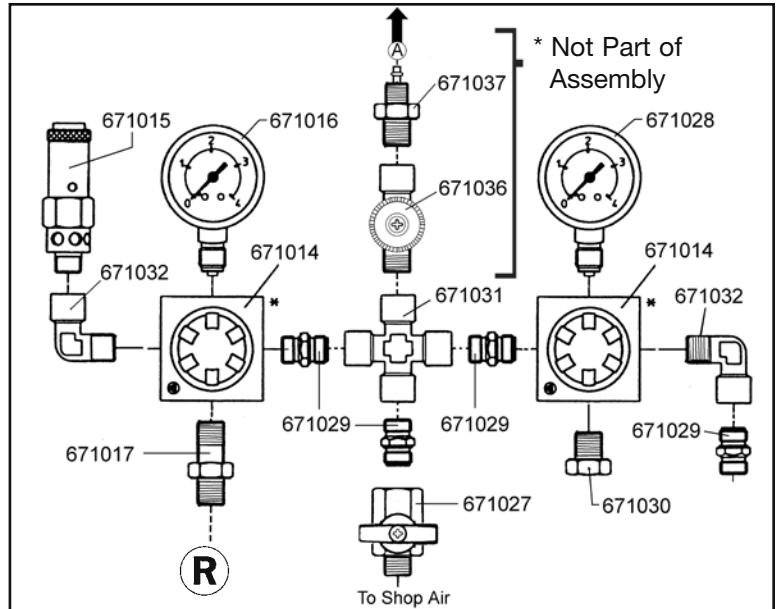
**(R)** = To lid connection  
**(A)** = To agitator air line

\* Furnished with pressure pot, not part of regulator. Order separate.

**Dan-Am Single Pressure Regulator 671038 Pneumatic Agitator**



**Dan-Am Double Pressure Regulator 671040 Pneumatic Agitator**

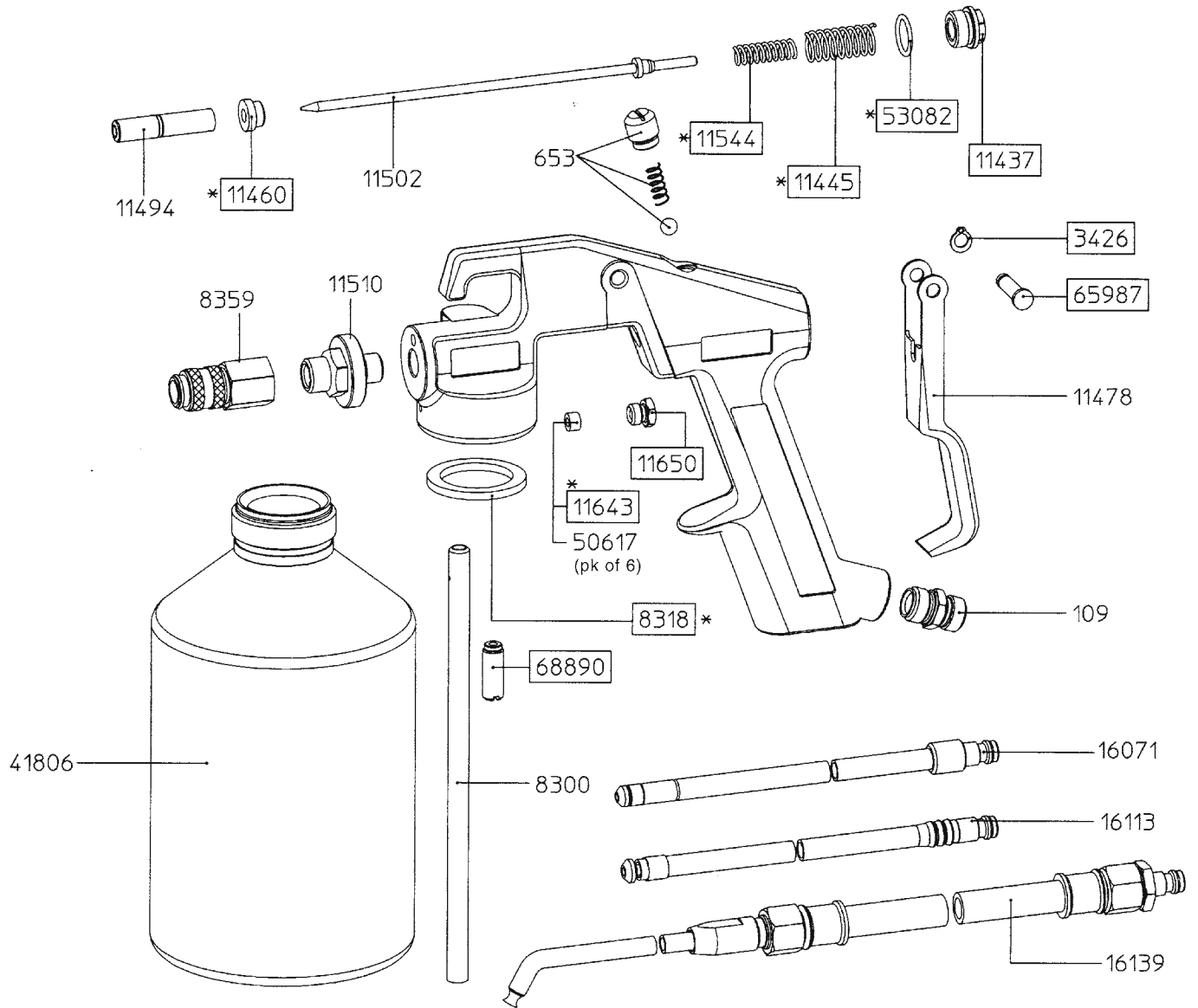


\* Not Part of Assembly

\* Not Part of Assembly

## Replacement parts:

# SATA HRS Hollow Cavity Rust Protection



□ Indicates HRS repair kit part number 9779

\* Indicates wear and tear kit, part number 35204

### Part # Description

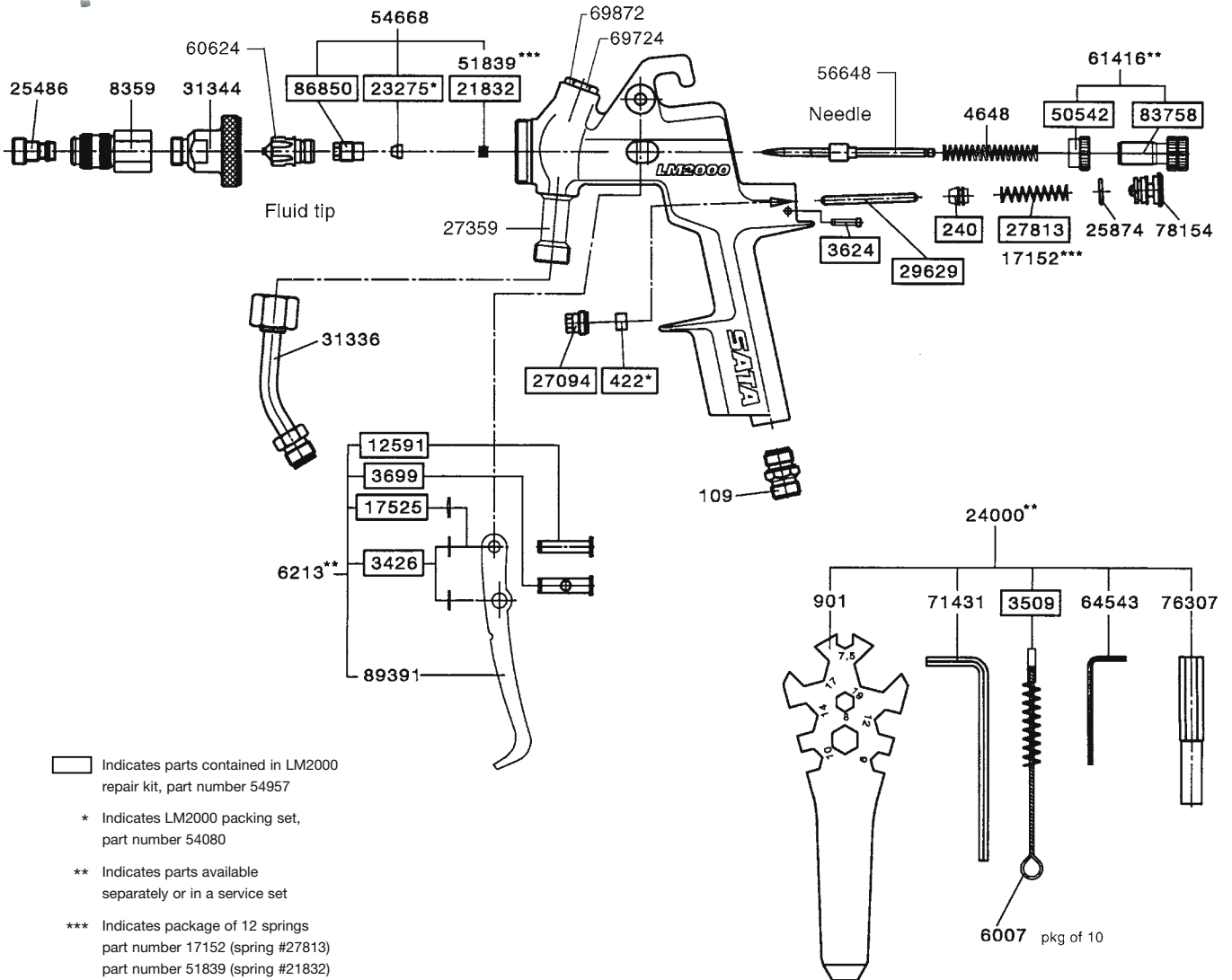
109	Air inlet fitting, 1/4 BSP
653	One way valve
3426	Circlip, 4mm
8300	Pick up tube
8318	Cup gasket
8359	Wand coupling, small type I
9779	Repair kit, HRS
11437	End screw

11445	Air piston spring
11460	Cam rod guide bushing
11478	Trigger
11494	Cam rod with "O" ring
11502	Material needle with sleeve
11510	Mixing cap
11544	Needle spring
11643	Needle packing, HRS
11650	Packing bushing

16071	Door wand, 1100 mm
16113	Nylon wand 1300 mm
16139	Hook wand, 750 mm
35204	Wear & tear repair kit
41806	Material cup, 1 liter
50617	Packing set, HRS
53082	"O"-- ring, 12 x 1.5
65987	Trigger pin
68890	Valve, complete

## Replacement parts:

# SATA LM 2000 KK HKU Undercoating Gun



### Part# Description

109	Air inlet fitting, 1/4" BSP	17525	Lock spring	54668	Needle packing service set
240	Air piston packing	21832	Needle packing spring	54957	Repair kit, LM 2000
422	Needle and air piston packing	23275	Packing, needle	56648	Needle, 1.6mm
901	Universal spanner wrench	24000	Tool kit, LM2000	60624	Fluid tip, 1.6mm
3426	Circlip	25486	Round spray nozzle	61416	Fluid control service set
3509	Cleaning brush	25874	"O" ring, 9 x 1.5, end cap	64543	Allen wrench, 2mm
3624	Pin, micrometer	27094	Air piston packing holder	69724	Fan control plug
3699	Pin, lower trigger	27813	Air piston spring	69872	"O" ring, 11 x 1, fan control
4648	Needle spring	29629	Air piston, LM2000	71431	Allen wrench, 4 mm
6007	Std cleaning brush, pk of 10	31336	Paint pipe, 3/8 x 1/4	76307	Socket wrench, 7mm
6213	Trigger service set	31344	Mixing nozzle	78154	End cap
8359	Wand coupling, small type I	50542	Lock nut, fluid control	83758	Fluid control
12591	Pin, upper trigger	51839	Needle packing spring, pk of 12 #21832	86850	Needle packing holder
17152	Air piston spring, pk of 12 #27813	54080	Packing set, LM 2000	89391	Trigger with piston pad

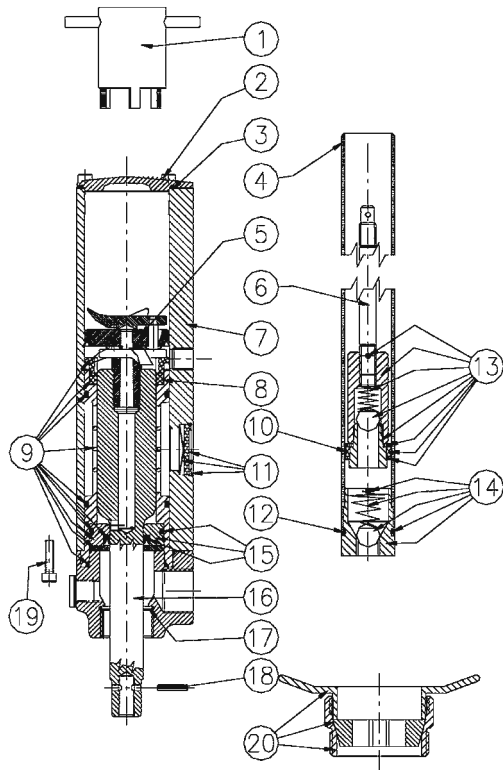
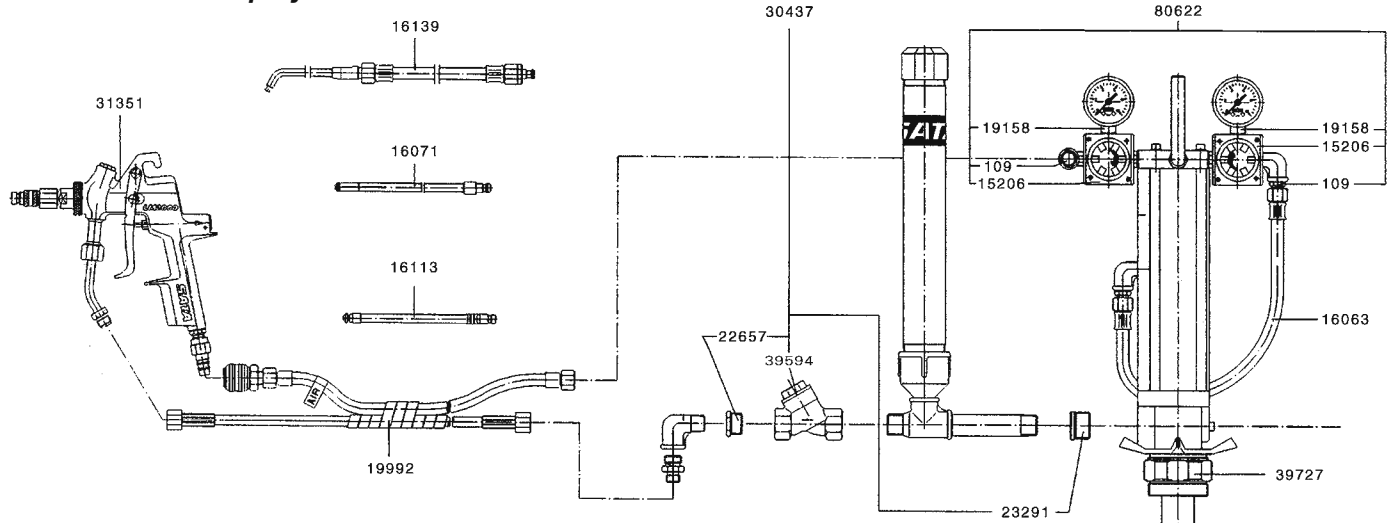
Replacement parts:

# SATA HKU PUMP

(For hollow cavity preservation and underbody rust protection)



See Index for Spray-Mix Material Nozzles



**Technical Data**

- Pump volume with nozzles: . . . . . app. 0.036 cfm
- Air consumption spray gun: . . . . . 7.1 cfm
- Air consumption pump at 72.5 psi inlet pressure: . . . . . 8.2 cfm
- Air connection thread: . . . . . G 1/4 outs. thread
- Total weight: . . . . . 24.2 lb / 11 kg
- Max. air pressure: . . . . . 150 psi
- Min. air pressure: . . . . . 37.5 psi
- Max. material pressure: . . . . . 450 psi
- Bursting pressure: . . . . . 2250 psi
- Free material flow: . . . . . approx. 22 l/m
- Air Connection: . . . . . G 1/4 int.
- Material outlet: . . . . . G 3/4 int.
- Material outlet: . . . . . suction pipe G 3/4

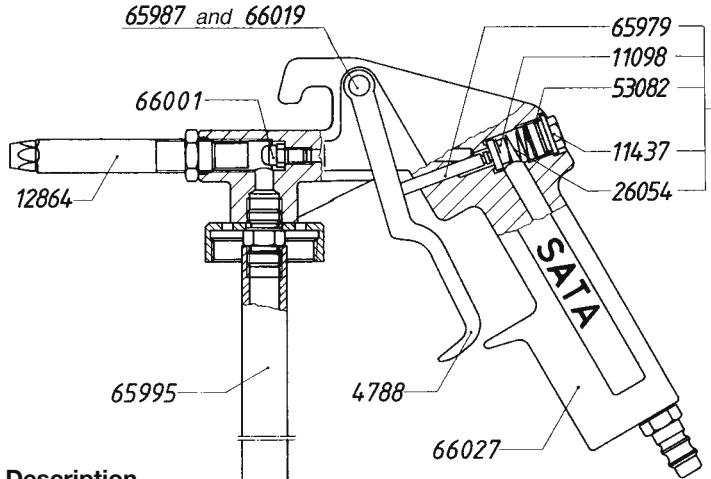
Noise emission at 0.MPa (105 psi): . . . . 79 dB (A)<sup>2</sup>

Barrel connection with 2" thread is supplied with the pump.

Part #	Description	19992	10 meter combination hose, with fittings	51961	Packing kit (#8, 10, 12, 15, 17, 18)
109	Air inlet fitting, 1/4 BSP	22657	Bushing, 3/8 x 1/2	51979	Air motor repair kit (#2, 3, 9, 16, 18, 19)
15206	Pressure regulator	23291	Reducing nipple, 3/4 x 1/2	55517	Valve mechanism, cpl. (#5) (N/A separately)
16063	Guide hose	30437	Pressure compensation container	57406	Pump tube repair kit (#13, 17, 18)
16071	Door wand	31351	LM 2000 KK pump gun	57471	Bottom valve, cpl. (#14)
16113	Nylon wand	38679	Suction pipe, 60 liter	57521	Piston rod (#6, 18) (N/A separately)
16139	Hook wand	39594	Sieve insert	80622	Pump regulator and fittings
19158	Pressure gauge, 0-150 psi	39727	Barrel screw		

Replacement parts:

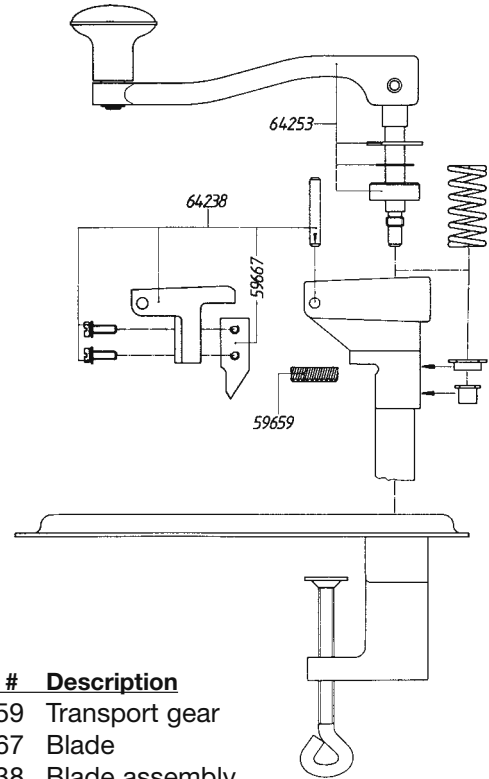
**SATA UBE Undercoating Gun**  
(#12740 for one way cans)



Part #	Description
4788	Trigger
11098	Packing, air piston
11437	End screw
12864	Spray tube
26054	Pressure spring
53082	"O" ring, air piston
65979	Air piston
65987	Trigger pin
65995	Pickup tube
66001	Nozzle
66019	Circlip

Replacement parts:

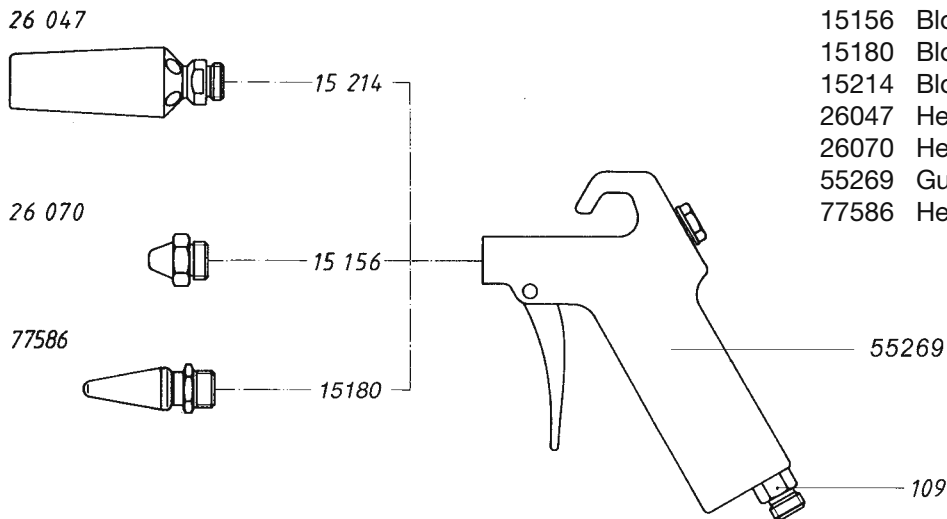
**SATA Dosen-Boy**  
(tin can opener)



Part #	Description
59659	Transport gear
59667	Blade
64238	Blade assembly
64253	Handle assembly

Replacement parts:

**SATA Blow Guns**



Part #	Description
109	Air inlet fitting
15156	Blow gun, standard
15180	Blow gun, noiseless
15214	Blow gun, multi-nozzle
26047	Head, multi-nozzle
26070	Head, standard
55269	Gun body
77586	Head, noiseless